

# QUICK RELEASE COUPLINGS

SECOND EDITION





For fast and easy connections of hydraulic hoses, the Alfagomma range of fluid components includes the ARGUS series of quick disconnect couplings, with products complying to international standards ISO 7241-1 A & B, ISO 5675 and ISO 16028, having poppet and flat face valve respectively.

The standardised design assures the complete interchangeability with corresponding couplings currently in use.

Made from high strength carbon steel as the basic material, hardened in parts subject to wear, ARGUS couplings feature a chrome-III zinc plating with a long lasting resistance to oxidation (TOP COAT, patented).

The mechanical and fluid dynamic performance are maximised by means of specific geometries defined through CFD calculations. Additional extensive testing is carried out after production following the requirements of ISO 7241-2 standard.







ISO-A range includes the true general purpose quick release couplings, with sizes from 1/4" to 1 1/2", BSPP, NPTF and metric threaded connections, and working pressure up to 350 bar. Agricultural machinery is the main application for ISO-A couplings. ISO 7241-1 B series is more employed in the industrial sector (pressures can reach 400 bar), for equipment powered and controlled by hydraulic systems.


The flat faced range is the optimal choice to avoid circuit contamination and oil leakage when connecting and disconnecting.

Flat faced couplings are widely used on construction equipment, but also in hostile environments where spillage can constitute a danger.

They have sizes from 1/4" to 1", constant working pressure of 350 bar and minimised flow losses.

Screw quick couplings are also included in the ARGUS family. Connection under residual pressure is made possible by specific couplings with poppet or flat face valve. Further sizes and types, including customised multi-coupling systems, are available on request.

	<b>SVK-ISO-A</b> ..... 5 POPPET STANDARD ISO 7241 A DN 6 to 51 - to max. WP 350 bar
	<b>SVK-ISO-A SS</b> ..... 11 POPPET STANDARD ISO 7241 A DN 6 to 40 - to max. WP 140 bar
	<b>SVK-ISO-B</b> ..... 13 POPPET STANDARD ISO 7241 B DN 6 to 25 - to max. WP 250 bar
	<b>SNK</b> ..... 17 POPPET INDUSTRY STANDARD DN 6 to 25 - to max. WP 350 bar - Normal series
	<b>SNKB</b> ..... 21 BALL INDUSTRY STANDARD DN 6 to 25 - to max. WP 350 bar - Normal series
	<b>SVK-1H-ISO-A</b> ..... 23 POPPET STANDARD ISO 7241 A DN 6 to 25 - to max. WP 400 bar - Push pull
	<b>SVK-1H</b> ..... 29 POPPET STANDARD ISO 5675 DN 10 to 19 - to max. WP 400 bar - Push pull
	<b>PVK-RACING</b> ..... 37 POPPET DN 8 to 13 - WP 20 bar - Push pull
	<b>SPK-1H</b> ..... 39 POPPET STANDARD ISO 5675 DN 13 - WP 250 bar - Push pull connection under pressure
	<b>SRK-1H</b> ..... 41 POPPET RIGID PIPES DN 13 - WP 250 bar - Connection under pressure
	<b>SKK-1H</b> ..... 43 POPPET RIGID PIPES DN 13 - WP 250 bar - Connection under pressure
	<b>ACCESSORIES FOR SVK-1H, RV and LBS</b> ..... 45 Threaded adapters
	<b>QUICK RELEASE ADAPTER</b> ..... 47
	<b>QUICK RELEASE ADAPTER</b> ..... 49 CONNECTION UNDER PRESSURE
	<b>FPK</b> ..... 51 FLAT FACE STANDARD ISO 16028 DN 6 to 25 - WP 350 bar
	<b>FPP</b> ..... 57 FLAT FACE STANDARD ISO 16028 DN 10 to 19 - WP 350 bar - Connection under pressure
	<b>BK</b> ..... 59 BRAKE VALVE FLAT FACE STANDARD ISO 5676 DN 10 - WP 250 bar

	<b>DK</b> ..... 61 DIAGNOSTIC FLAT FACE STANDARD ISO 15171-1 DN 6 - WP 470 bar
	<b>HDK</b> ..... 65 SCREW TYPE POPPET STANDARD ISO 14541 DN 8 to 32 - to max. WP 450 bar - German standard
	<b>RK</b> ..... 71 SCREW TYPE FLAT FACE DN 10 to 25 - to max. WP 315 bar
	<b>RKN</b> ..... 75 SCREW TYPE FLAT FACE DN 10 to 25 - to max. WP 450 bar
	<b>RPN</b> ..... 77 SCREW TYPE FLAT FACE DN 10 to 25 - to max. WP 450 bar - Connection under pressure
	<b>RPK</b> ..... 79 SCREW TYPE FLAT FACE DN 25 to 32 - to max. WP 450 bar
	<b>AK</b> ..... 81 SCREW TYPE FLAT FACE DN 6 to 25 - WP 315 bar
	<b>PTK</b> ..... 85 SCREW TYPE POPPET STANDARD ISO 14540 DN 6 to 10 - WP 700 bar - Power tool
	<b>SHK</b> ..... 87 HIFLOW TRUCK TYPE POPPET DN 25 - WP 240 bar
	<b>SLK</b> ..... 89 LOCKABLE TYPE POPPET DN 6 to 25 - to max. WP 450 bar - Nordic range
	<b>MULTI-COUPLING</b> ..... 93 MULTI-K
	<b>RV</b> ..... 101 NON RETURN VALVE DN 6 to 25 - to max. WP 400 bar
	<b>PRV</b> ..... 103 CARTRIDGE NON RETURN VALVE DN 6 to 25 - to max. WP 400 bar
	<b>LBS</b> ..... 105 EXCESS FLOW CHECK VALVE DN 6 to 25 - to max. WP 400 bar
	<b>SWIVEL CONNECTOR</b> ..... 107 SWIVEL JOINT DN 10 to 51 - to max. WP 410 bar



Poppet valve	Flat face valve	Screw type		Multi-coupling	Check valves	Swivel Connector
		Poppet	Flat face			
<b>Product series</b>						
SVK-ISO-A	FPK 350 bar *	HDK	RK	MULTI-K *	RV	SWIVEL CONNECTOR *
SVK-ISO-A SS	FPP MP *	PTK	RKN *		PRV	
SVK-ISO-B			RPK		PRV SPECIAL	
SNK			RPN *		LBS	
SNKB			AK			
SVK-1H-ISO-A			BK			
SVK-1H			DK			
PVK-RACING (ALU)						
SPK-1H						
SRK-1H *						
SKK-1H *						
SHK						
SLK						
Quick Release Adapter *						
SVK-ISO-A -1/2" ↔ FPK						
SVK-ISO-A -1/2" ↔ FPK under pressure						

\* Patent Pending

## ARGUS TAILOR MADE

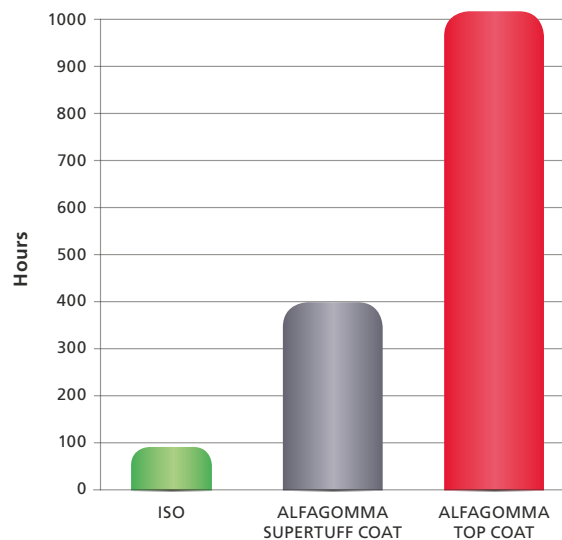
ARGUS can develop every kind of quick release and multi-coupling system according to customer's needs or specifications.

## STRONGER THAN EVER

Thanks to the exclusive Alfacomma **TOP COAT** – Galvanic Coating – proprietary technology, the complete range of ARGUS quick release couplings can boast an extraordinary wear and corrosion resistance, so as to guarantee a longer lifespan to your system.

Alfacomma **TOP COAT** is based on a system of trivalent passivation which reaches outstanding rusting and corrosion resistance levels. Tested in accordance with ASTM B117-03 and UNI ISO 9227 standards, Alfacomma **TOP COAT** ensures over 1000 hours to red rust.

### RESISTANCE TO RED RUST IN SALT FOG (test in compliance with ISO 9227)



DN 6 to 51  
to max. WP 350 bar

- Quick and simple coupling and uncoupling
- Cost effective



**ARGUS ISO 7241-1 series “A” quick release couplings** are used for quick coupling and uncoupling of hydraulic lines. During the coupling action in zero or low-pressure ranges, valves that release or block the flow are automatically activated.

The SVK-ISO-A quick release coupling, formed by the coupling plug and the coupling socket, is connected by pushing on a sleeve.

This guarantees a flush connection between the two coupling halves.

#### Materials

Galvanised steel with hardened parts subject to wear – NBR O-rings (other materials optional) – Polyethylene dust cap and dust plug.

Cr-III zinc plating through additional passivation for improved surface protection (TOP COAT for metric version).

**Suitable** for liquid lines with mineral oil-based hydraulic fluids to DIN 51524 T1+T2.

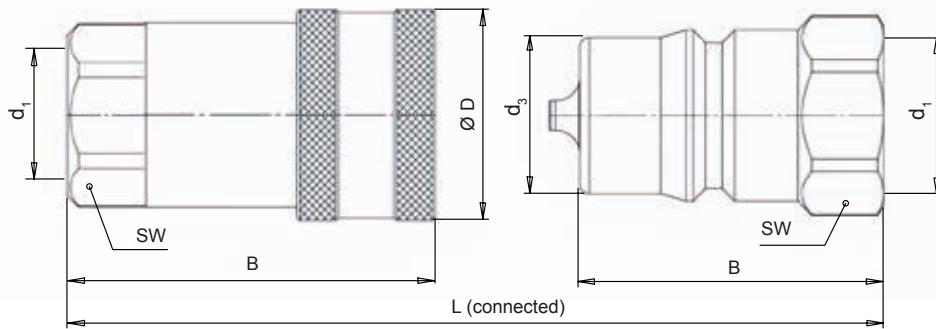
#### Temperature range:


from -20 °C to +100 °C.

from -30 °C to +125 °C (metric version).

Specific instructions for installation, use and maintenance are separately provided.


Rated flow / pressure drop compliant with ISO 7241-1 standard.


**STANDARD ISO 7241 A - Poppet SVK-ISO-A**
**Female coupling - female thread**

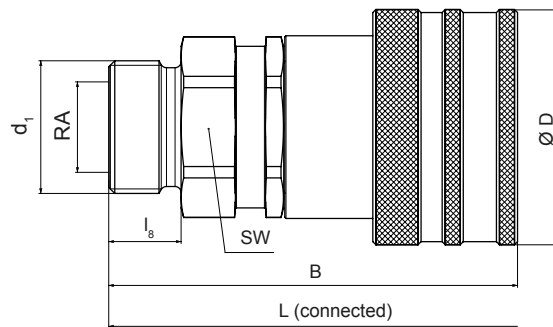
Item Code	Part Number				WP Conn./ disconn. MPa	Min BP Conn./ disconn. MPa	Thread	d <sub>1</sub> inch	B mm	ø D mm	L mm	SW mm
		DASH	DN	inch								
1219613	R1QEPAF06F-0404	-4	6	1/4	35	140	BSPP	1/4	50	26	74,2	19
1219607	R1QEPAF06F-0606	-6	10	3/8	31,5	126	BSPP	3/8	56	31,5	78,5	22
1232129	R1QEPAF06F-0608	-6	10	3/8	31,5	126	BSPP	1/2	56	32	74,5	27
1219617	R1QEPAF06F-0808	-8	13	1/2	27	108	BSPP	1/2	66	38,5	88,2	27
1219609	R1QEPAF06F-1212	-12	19	3/4	25	100	BSPP	3/4	82,5	48	110,4	34
1219619	R1QEPAF06F-1616	-16	25	1	20	80	BSPP	1	100	56	132,9	41
1223504	R1QEPAF06F-2020	-20	32	1 1/4	20	80	BSPP	1 1/4	117	70	150	50
1219620	R1QEPAF06F-2424	-24	40	1 1/2	16	64	BSPP	1 1/2	133	84,5	167	60
1223392	R1QEPAF06F-3232	-32	51	2	10	40	BSPP	2	165	99	210	75
1219612	R1QEPAF28F-0404	-4	6	1/4	35	140	NPTF	1/4	50	26	74,2	19
1222491	R1QEPAF28F-0606	-6	10	3/8	27	126	NPTF	3/8	57,1	31,5	78,5	22
1222488	R1QEPAF28F-0808	-8	13	1/2	27	108	NPTF	1/2	66	38,5	88,2	27
1222494	R1QEPAF28F-1212	-12	19	3/4	25	100	NPTF	3/4	82,5	48	110,4	34
1222495	R1QEPAF28F-1616	-16	25	1	20	80	NPTF	1	100	56	132,9	41
1229489	R1QEPAF28F-2424	-24	40	1 1/2	16	64	NPTF	1 1/2	133	84,5	167	60
1229490	R1QEPAF28F-3232	-32	51	2	10	40	NPTF	2	165	99	210	75

BSPP connection according to DIN 3852-2-X, NPTF connection according to ANSI B1-20.3, metric connection according to ISO 6149-1.

**STANDARD ISO 7241 A - Poppet SVK-ISO-A**
**Male coupling - female thread**

Item Code	Part Number				WP Conn./ disconn. MPa	Min BP Conn./ disconn. MPa	Thread	d <sub>1</sub> inch	B mm	d <sub>3</sub> mm	L mm	SW mm
		DASH	DN	inch								
1219611	R1QEPAM06F-0404	-4	6	1/4	35	140	BSPP	1/4	38,5	11,8	74,2	19
1219606	R1QEPAM06F-0606	-6	10	3/8	31,5	126	BSPP	3/8	36,5	17,3	78,5	22
1219615	R1QEPAM06F-0808	-8	13	1/2	27	108	BSPP	1/2	44	20,5	88,2	27
1219608	R1QEPAM06F-1212	-12	19	3/4	25	100	BSPP	3/4	55	29	110,4	34
1219618	R1QEPAM06F-1616	-16	25	1	20	80	BSPP	1	66	34,3	132,9	41
1223512	R1QEPAM06F-2020	-20	32	1 1/4	20	80	BSPP	1 1/4	75	45	150	50
1223511	R1QEPAM06F-2424	-24	40	1 1/2	16	64	BSPP	1 1/2	83,5	55	167	60
1223395	R1QEPAM06F-3232	-32	51	2	10	40	BSPP	2	105	65	210	75
1219610	R1QEPAM28F-0404	-4	6	1/4	35	140	NPTF	1/4	38,5	11,8	74,2	19
1222492	R1QEPAM28F-0606	-6	10	3/8	27	126	NPTF	3/8	39	17,3	78,5	22
1222489	R1QEPAM28F-0808	-8	13	1/2	27	108	NPTF	1/2	44	20,5	88,2	27
1222490	R1QEPAM28F-1212	-12	19	3/4	25	100	NPTF	3/4	55	29	110,4	34
1222487	R1QEPAM28F-1616	-16	25	1	20	80	NPTF	1	66	34,3	132,9	41
1229496	R1QEPAM28F-2424	-24	40	1 1/2	16	64	NPTF	1 1/2	83,5	55	167	60
1229497	R1QEPAM28F-3232	-32	51	2	10	40	NPTF	2	105	65	210	75

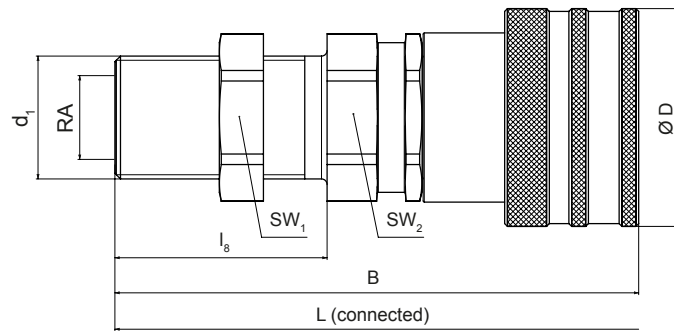
BSPP connection according to DIN 3852-2-X, NPTF connection according to ANSI B1-20.3, metric connection according to ISO 6149-1.



**STANDARD ISO 7241 A - Poppet SVK-ISO-A**
**Female coupling - metric 24° light/heavy series**

Item Code	Part Number				WP Conn./ disconn. MPa	Min BP Conn./ disconn. MPa	Fitting	RA mm	d <sub>1</sub> mm	B mm	ø D mm	L mm	I <sub>8</sub> mm	SW mm
		DASH	DN	inch										
1233909	R1Q-341849	-4	6	1/4	35	140	D24L	6	M12x1,5	52	25	84,6	10	19
1229374	R1Q-341850	-4	6	1/4	35	140	D24L	8	M14x1,5	52	25	84,6	10	19
1233910	R1Q-341852	-6	10	3/8	31,5	126	D24L	8	M14x1,5	49,5	32	89,7	10	22
1229375	R1Q-341853	-6	10	3/8	31,5	126	D24L	10	M16x1,5	50,5	32	91,7	11	22
1233925	R1Q-341854	-8	13	1/2	27	108	D24L	8	M14x1,5	65,8	39	100,1	10	27
1233927	R1Q-341855	-8	13	1/2	27	108	D24L	10	M16x1,5	66,8	39	102,1	11	27
1229377	R1Q-341856	-8	13	1/2	27	108	D24L	12	M18x1,5	66,8	39	102,1	11	27
1229378	R1Q-341857	-8	13	1/2	27	108	D24L	15	M22x1,5	67,8	39	104,1	12	27
1233928	R1Q-341858	-8	13	1/2	27	108	D24L	18	M26x1,5	67,8	39	104,1	12	32
1233929	R1Q-341859	-12	19	3/4	25	100	D24L	12	M18x1,5	80	46	117,9	11	36
1233930	R1Q-341860	-12	19	3/4	25	100	D24L	15	M22x1,5	81	46	119,9	12	36
1229380	R1Q-341861	-12	19	3/4	25	100	D24L	18	M26x1,5	81	46	119,9	12	36
1229381	R1Q-341862	-12	19	3/4	25	100	D24L	22	M30x2,0	83	46	123,9	14	36
1233931	R1Q-341863	-16	25	1	20	80	D24L	18	M26x1,5	94	52	137,4	12	41
1233932	R1Q-341864	-16	25	1	20	80	D24L	22	M30x2,0	96	52	141,4	14	41
1229382	R1Q-341865	-16	25	1	20	80	D24L	28	M36x2,0	96	52	141,4	14	41
1233933	R1Q-341866	-16	25	1	20	80	D24L	35	M45x2,0	98	52	145,4	16	50
1233934	R1Q-341867	-6	10	3/8	31,5	126	D24S	8	M16x1,5	51,5	32	93,7	12	22
1233935	R1Q-341868	-6	10	3/8	31,5	126	D24S	10	M18x1,5	51,5	32	93,7	12	22
1229419	R1Q-341869	-6	10	3/8	31,5	126	D24S	12	M20x1,5	51,5	32	93,7	12	22
1233936	R1Q-341870	-8	13	1/2	27	108	D24S	10	M18x1,5	67,8	39	104,1	12	27
1233937	R1Q-341871	-8	13	1/2	27	108	D24S	12	M20x1,5	67,8	39	104,1	12	27
1233938	R1Q-341872	-8	13	1/2	27	108	D24S	14	M22x1,5	67,8	39	104,1	12	27
1229422	R1Q-341873	-8	13	1/2	27	108	D24S	16	M24x1,5	69,8	39	108,1	14	27
1233939	R1Q-341874	-12	19	3/4	25	100	D24S	16	M24x1,5	83	46	123,9	14	36
1233940	R1Q-341875	-12	19	3/4	25	100	D24S	20	M30x2,0	85	46	127,9	16	36
1234911	R1Q-341734	-12	19	3/4	25	100	D24S	25	M36x2,0	87	46	131,9	18	36
1233941	R1Q-341876	-16	25	1	20	80	D24S	20	M30x2,0	98	53	145,4	16	41
1229426	R1Q-341877	-16	25	1	20	80	D24S	25	M36x2,0	100	53	149,4	18	41
1233942	R1Q-341878	-16	25	1	20	80	D24S	30	M42x2,0	102	53	153,4	20	41
1233943	R1Q-341879	-16	25	1	20	80	D24S	38	M52x2,0	104	53	157,4	22	55

Metric connection according to DIN EN ISO 8434-1.



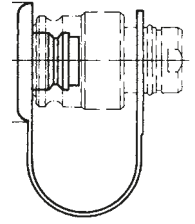

**TOP COAT**
**STANDARD ISO 7241 A - Poppet SVK-ISO-A**
**Female coupling - metric 24° light series bulkhead**

Item Code	Part Number				WP Conn./ disconn. MPa	Min BP Conn./ disconn. MPa	Fitting	RA mm	d <sub>1</sub> mm	B mm	ø D mm	L mm	I <sub>8</sub> mm	SW <sub>1</sub> mm	SW <sub>2</sub> mm
		DASH	DN	inch											
1233955	R1Q-341897	-4	6	1/4	35	140	D24L	6	M12x1,5	76	25	132,6	34	19	17
1229396	R1Q-341898	-4	6	1/4	35	140	D24L	8	M14x1,5	76	25	132,6	34	19	19
1233956	R1Q-341899	-6	10	3/8	31,5	126	D24L	8	M14x1,5	82	32	137,7	34	22	19
1229397	R1Q-341900	-6	10	3/8	31,5	126	D24L	10	M16x1,5	83	32	139,7	35	22	22
1233957	R1Q-341902	-8	13	1/2	27	108	D24L	8	M14x1,5	89,8	38	148,1	34	27	19
1233958	R1Q-341903	-8	13	1/2	27	108	D24L	10	M16x1,5	90,8	38	150,1	35	27	22
1229399	R1Q-341904	-8	13	1/2	27	108	D24L	12	M18x1,5	91,8	38	152,1	36	27	24
1229400	R1Q-341905	-8	13	1/2	27	108	D24L	15	M22x1,5	93,8	38	156,1	38	27	30
1233959	R1Q-341906	-8	13	1/2	27	108	D24L	18	M26x1,5	95,8	38	160,1	40	32	36
1233960	R1Q-341907	-12	19	3/4	25	100	D24L	12	M18x1,5	105	45	167,9	36	36	24
1233961	R1Q-341908	-12	19	3/4	25	100	D24L	15	M22x1,5	107	45	171,9	38	36	30
1229402	R1Q-341909	-12	19	3/4	25	100	D24L	18	M26x1,5	109	45	175,9	40	36	36
1229403	R1Q-341910	-12	19	3/4	25	100	D24L	22	M30x2,0	111	45	179,9	42	36	41
1234912	R1Q-341735	-16	25	1	20	80	D24L	18	M26x2,0	122	52	193,4	40	41	36
1233962	R1Q-341911	-16	25	1	20	80	D24L	22	M30x2,0	124	52	197,4	42	41	41
1229404	R1Q-341912	-16	25	1	20	80	D24L	28	M36x2,0	125	52	199,4	43	41	46
1233963	R1Q-341913	-16	25	1	20	80	D24L	35	M45x2,0	129	52	207,4	47	50	55

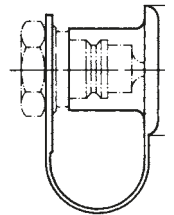
Metric connection according to DIN EN ISO 8434-1.

**STANDARD ISO 7241 A - Poppet SVK-ISO-A****Red dust plug (for female coupling)**

Item Code	Part Number	DASH	DN	inch
1219283	RT-1219283	-4	6	1/4
1219281	RT-1219281	-6	10	3/8
1219284	RT-1219284	-8	13	1/2
1219282	RT-1219282	-12	19	3/4
1219285	RT-1219285	-16	25	1

**STANDARD ISO 7241 A - Poppet SVK-ISO-A****Red dust cap (for male coupling)**

Item Code	Part Number	DASH	DN	inch
1219446	RT-1219446	-4	6	1/4
1219444	RT-1219444	-6	10	3/8
1219447	RT-1219447	-8	13	1/2
1219445	RT-1219445	-12	19	3/4
1219448	RT-1219448	-16	25	1





DN 6 to 40  
to max. WP 140 bar

- Quick and simple coupling and uncoupling
- Stainless steel AISI 316



**ARGUS ISO 7241-1 series “A” quick release couplings** are used for quick coupling and uncoupling of hydraulic lines. During the coupling action in zero or low-pressure ranges, valves that release or block the flow are automatically activated.

The SVK-ISO-A SS quick release coupling, formed by the coupling plug and the coupling socket, is connected by pushing on a sleeve. This guarantees a flush connection between the two coupling halves.

#### **Materials**

Stainless steel AISI 316 – FKM O-rings (other materials optional) – Polyethylene dust cap and dust plug.

**Suitable** for liquid lines with mineral oil-based hydraulic fluids to DIN 51524 T1+T2, water or other aggressive fluids.

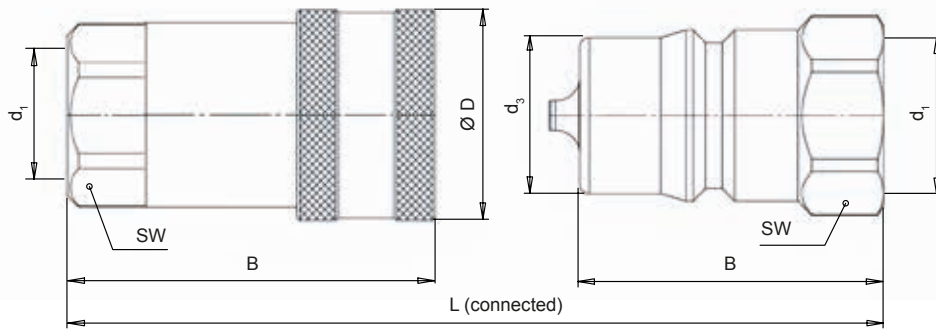
Resistant to outdoor and harsh environments.


#### **Temperature range:**

from -20 °C to +100 °C.

Specific instructions for installation, use and maintenance are separately provided.


Rated flow / pressure drop compliant with ISO 7241-1 standard.


**STANDARD ISO 7241 A - Poppet SVK-ISO-A SS**
**Female coupling - female thread**

Item Code	Part Number				WP Conn./ disconn. MPa	Min BP Conn./ disconn. MPa	Thread	d <sub>1</sub> inch	B mm	ø D mm	L mm	SW mm
		DASH	DN	inch								
1233982	R3QEPAF06F-0404	-4	6	1/4	14	72	BSPP	1/4	50	26	74,2	19
1233983	R3QEPAF06F-0606	-6	10	3/8	14	72	BSPP	3/8	57,1	31,5	78,5	22
1233984	R3QEPAF06F-0808	-8	13	1/2	10	40	BSPP	1/2	66	38,5	88,2	27
1233985	R3QEPAF06F-1212	-12	19	3/4	10	40	BSPP	3/4	82,5	48	110,4	34
1233986	R3QEPAF06F-1616	-16	25	1	7	28	BSPP	1	100	56	132,9	41
1233987	R3QEPAF06F-2020	-20	32	1 1/4	7	28	BSPP	1 1/4	117	70	150	50
1233988	R3QEPAF06F-2424	-24	40	1 1/2	7	28	BSPP	1 1/2	133	84,5	167	60
1233989	R3QEPAF28F-0404	-4	6	1/4	14	72	NPTF	1/4	50	26	74,2	19
1233990	R3QEPAF28F-0606	-6	10	3/8	14	72	NPTF	3/8	57,1	31,5	78,5	22
1233991	R3QEPAF28F-0808	-8	13	1/2	10	40	NPTF	1/2	66	38,5	88,2	27
1233992	R3QEPAF28F-1212	-12	19	3/4	10	40	NPTF	3/4	82,5	48	110,4	34
1233993	R3QEPAF28F-1616	-16	25	1	7	28	NPTF	1	100	56	132,9	41
1233994	R3QEPAF28F-2020	-20	32	1 1/4	7	28	NPTF	1 1/4	117	70	150	50
1233995	R3QEPAF28F-2424	-24	40	1 1/2	7	28	NPTF	1 1/2	133	84,5	167	60

BSPP connection according to DIN 3852-2-X, NPTF connection according to ANSI B1-20.3.

**STANDARD ISO 7241 A - Poppet SVK-ISO-A SS**
**Male coupling - female thread**

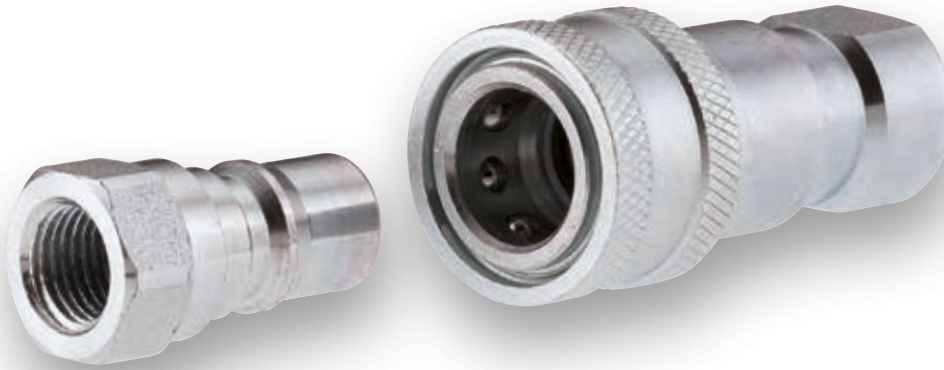
Item Code	Part Number				WP Conn./ disconn. MPa	Min BP Conn./ disconn. MPa	Thread	d <sub>1</sub> inch	B mm	d <sub>3</sub> mm	L mm	SW mm
		DASH	DN	inch								
1233996	R3QEPAM06F-0404	-4	6	1/4	14	72	BSPP	1/4	38,5	11,8	74,2	19
1233997	R3QEPAM06F-0606	-6	10	3/8	14	72	BSPP	3/8	39	17,3	78,5	22
1233998	R3QEPAM06F-0808	-8	13	1/2	10	40	BSPP	1/2	44	20,5	88,2	27
1233999	R3QEPAM06F-1212	-12	19	3/4	10	40	BSPP	3/4	55	29	110,4	34
1234000	R3QEPAM06F-1616	-16	25	1	7	28	BSPP	1	66	34,3	132,9	41
1234001	R3QEPAM06F-2020	-20	32	1 1/4	7	28	BSPP	1 1/4	75	45	150	50
1234002	R3QEPAM06F-2424	-24	40	1 1/2	7	28	BSPP	1 1/2	83,5	55	167	60
1234003	R3QEPAM28F-0404	-4	6	1/4	14	72	NPTF	1/4	38,5	11,8	74,2	19
1234004	R3QEPAM28F-0606	-6	10	3/8	14	72	NPTF	3/8	39	17,3	78,5	22
1234005	R3QEPAM28F-0808	-8	13	1/2	10	40	NPTF	1/2	44	20,5	88,2	27
1234006	R3QEPAM28F-1212	-12	19	3/4	10	40	NPTF	3/4	55	29	110,4	34
1234007	R3QEPAM28F-1616	-16	25	1	7	28	NPTF	1	66	34,3	132,9	41
1234008	R3QEPAM28F-2020	-20	32	1 1/4	7	28	NPTF	1 1/4	75	45	150	50
1234009	R3QEPAM28F-2424	-24	40	1 1/2	7	28	NPTF	1 1/2	83,5	55	167	60

BSPP connection according to DIN 3852-2-X, NPTF connection according to ANSI B1-20.3.



DN 6 to 25  
to max. WP 300 bar

- Quick and simple coupling and uncoupling



**ARGUS ISO 7241-1 series “B” quick release couplings** are used for quick coupling and uncoupling of hydraulic lines. During the coupling action in zero or low-pressure ranges, valves that release or block the flow are automatically activated.

The SVK-ISO-B quick release coupling, formed by the coupling plug and the coupling socket, is connected by pushing on a sleeve.

This guarantees a flush connection between the two coupling halves.

#### **Materials**

Galvanised steel with hardened parts subject to wear – NBR O-rings (other materials optional) – Polyethylene dust cap and dust plug.

Cr-III zinc plating through additional passivation for improved surface protection.

Also available in stainless steel.

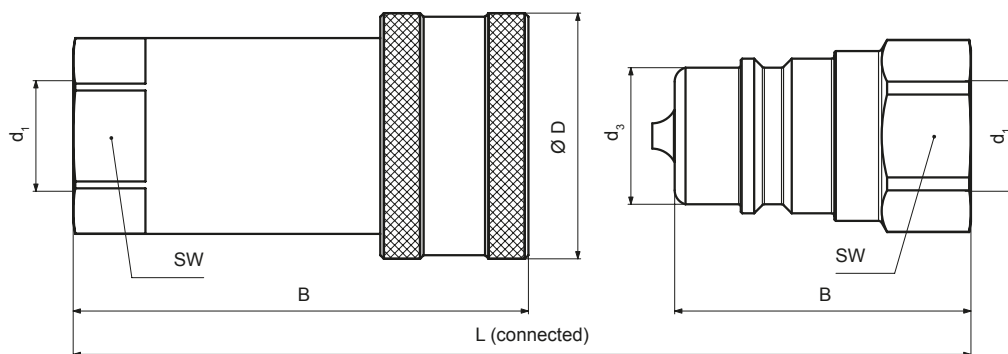
**Suitable** for liquid lines with mineral oil-based hydraulic fluids to DIN 51524 T1+T2.

#### **Temperature range:**

from -20 °C to +100 °C.

Specific instructions for installation, use and maintenance are separately provided.

Rated flow / pressure drop compliant with ISO 7241-1 standard.


**STANDARD ISO 7241 B - Poppet SVK-ISO-B**
**Female coupling - female thread**

Item Code	Part Number				WP Conn./ disconn. MPa	Min BP Conn./ disconn. MPa	Thread	d <sub>1</sub> inch	B mm	ø D mm	L mm	SW mm
		DASH	DN	inch								
1223633	R1QEPBF06F-0404	-4	6	1/4	30	120	BSPP	1/4	58	28,5	72	19
1223636	R1QEPBF06F-0606	-6	10	3/8	28	112	BSPP	3/8	65	35	81	24
1223632	R1QEPBF06F-0808	-8	13	1/2	25	100	BSPP	1/2	74	44,5	93,5	28,5
1223635	R1QEPBF06F-1212	-12	19	3/4	20	80	BSPP	3/4	92	54	113	36
1223631	R1QEPBF06F-1616	-16	25	1	15	60	BSPP	1	103	63,5	127	41
1233775	R1QEPBF28F-0404	-4	6	1/4	30	120	NPTF	1/4	58	28,5	72	19
1233777	R1QEPBF28F-0606	-6	10	3/8	28	112	NPTF	3/8	65	35	81	24
1233779	R1QEPBF28F-0808	-8	13	1/2	25	100	NPTF	1/2	74	44,5	93,5	28,5
1233781	R1QEPBF28F-1212	-12	19	3/4	20	80	NPTF	3/4	92	54	113	36
1233783	R1QEPBF28F-1616	-16	25	1	15	60	NPTF	1	103	63,5	127	41

BSPP connection according to DIN 3852-2-X, NPTF connection according to ANSI B1-20.3.

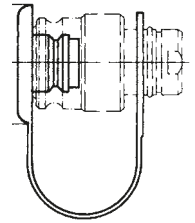
**STANDARD ISO 7241 B - Poppet SVK-ISO-B**
**Male coupling - female thread**

Item Code	Part Number				WP Conn./ disconn. MPa	Min BP Conn./ disconn. MPa	Thread	d <sub>1</sub> inch	B mm	d <sub>3</sub> mm	L mm	SW mm
		DASH	DN	inch								
1223639	R1QEPBM06F-0404	-4	6	1/4	30	120	BSPP	1/4	36	14,15	72	19
1223642	R1QEPBM06F-0606	-6	10	3/8	28	112	BSPP	3/8	40	19,05	81	24
1223638	R1QEPBM06F-0808	-8	13	1/2	25	100	BSPP	1/2	46,5	23,5	93,5	28,5
1223641	R1QEPBM06F-1212	-12	19	3/4	20	80	BSPP	3/4	56	31,4	113	36
1223637	R1QEPBM06F-1616	-16	25	1	15	60	BSPP	1	63	37,75	127	41
1233776	R1QEPBM28F-0404	-4	6	1/4	30	120	NPTF	1/4	36	14,15	72	19
1233778	R1QEPBM28F-0606	-6	10	3/8	28	112	NPTF	3/8	40	19,05	81	24
1233780	R1QEPBM28F-0808	-8	13	1/2	25	100	NPTF	1/2	46,5	23,5	93,5	28,5
1233782	R1QEPBM28F-1212	-12	19	3/4	20	80	NPTF	3/4	56	31,4	113	36
1233784	R1QEPBM28F-1616	-16	25	1	15	60	NPTF	1	63	37,75	127	41

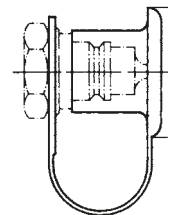
BSPP connection according to DIN 3852-2-X, NPTF connection according to ANSI B1-20.3.

**STANDARD ISO 7241 B - Poppet SVK-ISO-B****Red dust plug (for female coupling)**

Item Code	Part Number	DASH	DN	inch
1224400	RT-1224400	-4	6	1/4
1224401	RT-1224401	-6	10	3/8
1224402	RT-1224402	-8	13	1/2
1224403	RT-1224403	-12	19	3/4
1224404	RT-1224404	-16	25	1

**STANDARD ISO 7241 B - Poppet SVK-ISO-B****Red dust cap (for male coupling)**

Item Code	Part Number	DASH	DN	inch
1224394	RT-1224394	-4	6	1/4
1224395	RT-1224395	-6	10	3/8
1224396	RT-1224396	-8	13	1/2
1224397	RT-1224397	-12	19	3/4
1224398	RT-1224398	-16	25	1





DN 6 to 25  
to max. WP 350 bar

- Agricultural/normal series
- Compatibility with other couplings in-use
- DN 12 compatible with ISO 7241-1-A



**ARGUS Agricultural/Normal quick release couplings** are used for quick coupling and uncoupling of hydraulic lines. During the coupling action in zero or low-pressure ranges, valves that release or block the flow are automatically activated.

The SNK quick release coupling, formed by the coupling plug and the coupling socket, is connected by pushing on a sleeve.

This guarantees a flush connection between the two coupling halves.

#### Materials

Galvanised steel with hardened parts subject to wear – NBR O-rings (other materials optional) – Polyethylene dust cap and dust plug.

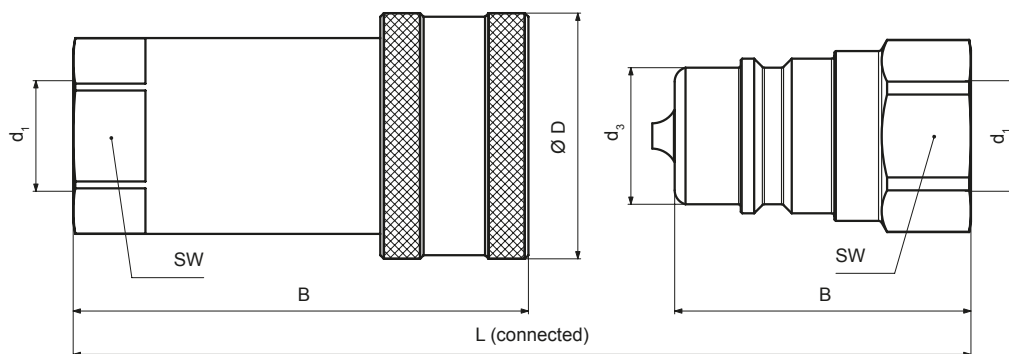
Cr-III zinc plating through additional passivation for improved surface protection.


**Suitable** for liquid lines with mineral oil-based hydraulic fluids to DIN 51524 T1+T2.

**Temperature range:**  
from -20 °C to +100 °C.

Specific instructions for installation, use and maintenance are separately provided.





**INDUSTRY STANDARD - Poppet SNK**
**Female coupling - female thread**

Item Code	Part Number				WP Conn./ disconn. MPa	Min BP Conn./ disconn. MPa	Thread	d <sub>1</sub> inch	B mm	ø D mm	L mm	SW mm
		DASH	DN	inch								
1223670	R1QEPRF06F-0404	-4	6	1/4	35	140	BSPP	1/4	53,5	27,6	72	19
1223672	R1QEPRF06F-0606	-6	10	3/8	27	108	BSPP	3/8	63	34	83	24
1219617	R1QEPAF06F-0808	-8	13	1/2	27	108	BSPP	1/2	66	38,5	88,2	27
1223671	R1QEPRF06F-1212	-12	19	3/4	20	80	BSPP	3/4	82,5	48,2	108	34
1223669	R1QEPRF06F-1616	-16	25	1	20	80	BSPP	1	96,5	56,5	127	41
1232516	R1QEPRF28F-0404	-4	6	1/4	35	140	NPTF	1/4	53,5	27,6	72	19
1232517	R1QEPRF28F-0606	-6	10	3/8	27	108	NPTF	3/8	63	34	83	24
1222488	R1QEPAF28F-0808	-8	13	1/2	27	108	NPTF	1/2	66	38,5	88,2	27
1232519	R1QEPRF28F-1212	-12	19	3/4	20	80	NPTF	3/4	82,5	48,2	108	34
1232520	R1QEPRF28F-1616	-16	25	1	20	80	NPTF	1	96,5	56,5	127	41

BSPP connection according to DIN 3852-2-X, NPTF connection according to ANSI B1-20.3, metric connection according to ISO 6149-1.

**INDUSTRY STANDARD - Poppet SNK**
**Male coupling - female thread**

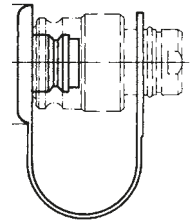
Item Code	Part Number				WP Conn./ disconn. MPa	Min BP Conn./ disconn. MPa	Thread	d <sub>1</sub> inch	B mm	d <sub>3</sub> mm	L mm	SW mm
		DASH	DN	inch								
1223674	R1QEPRM06F-0404	-4	6	1/4	35	140	BSPP	1/4	36	14,1	72	19
1223676	R1QEPRM06F-0606	-6	10	3/8	27	108	BSPP	3/8	40	18,9	83	24
1219615	R1QEPAM06F-0808	-8	13	1/2	27	108	BSPP	1/2	44	20,5	88,2	27
1223675	R1QEPRM06F-1212	-12	19	3/4	20	80	BSPP	3/4	53,5	27,9	108	34
1223673	R1QEPRM06F-1616	-16	25	1	20	80	BSPP	1	63	31,3	127	41
1232521	R1QEPRM28F-0404	-4	6	1/4	35	140	NPTF	1/4	36	14,1	72	19
1232522	R1QEPRM28F-0606	-6	10	3/8	27	108	NPTF	3/8	40	18,9	83	24
1222489	R1QEPAM28F-0808	-8	13	1/2	27	108	NPTF	1/2	44	20,5	88,2	27
1232524	R1QEPRM28F-1212	-12	19	3/4	20	80	NPTF	3/4	49	27,9	108	34
1232525	R1QEPRM28F-1616	-16	25	1	20	80	NPTF	1	64	31,3	127	41

BSPP connection according to DIN 3852-2-X, NPTF connection according to ANSI B1-20.3, metric connection according to ISO 6149-1.

**INDUSTRY STANDARD - Poppet SNK**

**Red dust plug (for female coupling)**

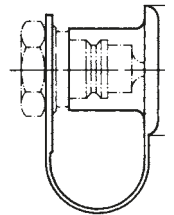
Item Code	Part Number	DASH	DN	inch
1224385	RT-1224385	-4	6	1/4
1223630	RT-1223630	-6	10	3/8
1219284	RT-1219284	-8	13	1/2
1223629	RT-1223629	-12	19	3/4
1223626	RT-1223626	-16	25	1



**INDUSTRY STANDARD - Poppet SNK**

**Red dust cap (for male coupling)**

Item Code	Part Number	DASH	DN	inch
1224383	RT-1224383	-4	6	1/4
1223625	RT-1223625	-6	10	3/8
1219447	RT-1219447	-8	13	1/2
1223624	RT-1223624	-12	19	3/4
1223621	RT-1223621	-16	25	1





DN 6 to 25  
to max. WP 350 bar

- Ball valve
- Agricultural/normal series
- Compatibility with other couplings in-use
- DN 12 compatible with ISO 7241-1-A



**ARGUS Agricultural/Normal quick release couplings with ball valve** are used for quick coupling and uncoupling of hydraulic lines. During the coupling action in zero or low-pressure ranges, valves that release or block the flow are automatically activated. The SNK-B quick release coupling, formed by the coupling plug and the coupling socket, is connected by pushing on a sleeve.

#### Materials

Galvanised steel with hardened parts subject to wear – NBR O-rings (other materials optional) – Polyethylene dust cap and dust plug.

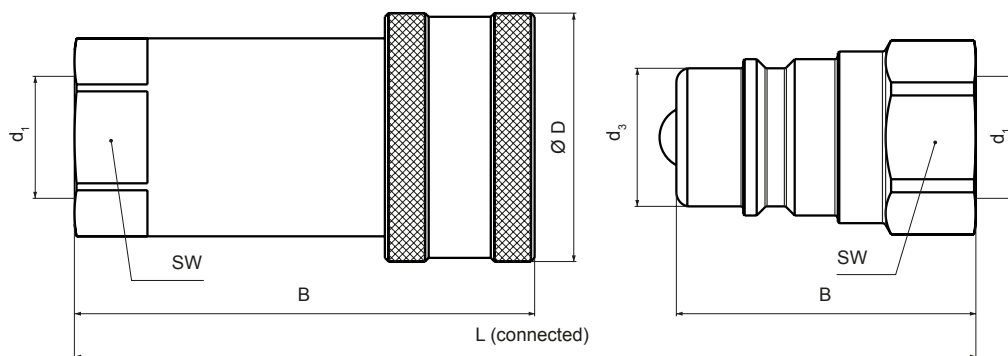
Cr-III zinc plating through additional passivation for improved surface protection.


**Suitable** for liquid lines with mineral oil-based hydraulic fluids to DIN 51524 T1+T2.

#### Temperature range:

from -20 °C to +100 °C.


Specific instructions for installation, use and maintenance are separately provided.


**INDUSTRY STANDARD - Poppet SNKB**
**Female coupling - female thread**

Item Code	Part Number				WP Conn./ disconn. MPa	Min BP Conn./ disconn. MPa	Thread	d <sub>1</sub> inch	B mm	ø D mm	L mm	SW mm
		DASH	DN	inch								
1223611	R1QEBRF06F-0404	-4	6	1/4	35	140	BSPP	1/4	53,5	27,6	72	19
1223614	R1QEBRF06F-0606	-6	10	3/8	27	108	BSPP	3/8	63	34	83	24
1223610	R1QEBAF06F-0808	-8	13	1/2	27	108	BSPP	1/2	66	38,5	88,2	27
1223612	R1QEBRF06F-1212	-12	19	3/4	20	80	BSPP	3/4	82,5	48,2	108	34
1223609	R1QEBRF06F-1616	-16	25	1	20	80	BSPP	1	96,5	56,5	127	41
1234020	R1QEBRF28F-0404	-4	6	1/4	35	140	NPTF	1/4	53,5	27,6	72	19
1234021	R1QEBRF28F-0606	-6	10	3/8	27	108	NPTF	3/8	63	34	83	24
1234022	R1QEBAF28F-0808	-8	13	1/2	27	108	NPTF	1/2	66	38,5	88,2	27
1234023	R1QEBRF28F-1212	-12	19	3/4	20	80	NPTF	3/4	82,5	48,2	108	34
1234024	R1QEBRF28F-1616	-16	25	1	20	80	NPTF	1	96,5	56,5	127	41

BSPP connection according to DIN 3852-2-X, NPTF connection according to ANSI B1-20.3.

**INDUSTRY STANDARD - Poppet SNKB**
**Male coupling - female thread**

Item Code	Part Number				WP Conn./ disconn. MPa	Min BP Conn./ disconn. MPa	Thread	d <sub>1</sub> inch	B mm	d <sub>3</sub> mm	L mm	SW mm
		DASH	DN	inch								
1223617	R1QEBRM06F-0404	-4	6	1/4	35	140	BSPP	1/4	36	14,1	72	19
1223620	R1QEBRM06F-0606	-6	10	3/8	27	108	BSPP	3/8	40	18,9	83	24
1223616	R1QEBAM06F-0808	-8	13	1/2	27	108	BSPP	1/2	44	20,5	88,2	27
1223618	R1QEBRM06F-1212	-12	19	3/4	20	80	BSPP	3/4	53,5	27,9	108	34
1223615	R1QEBRM06F-1616	-16	25	1	20	80	BSPP	1	63	31,3	127	41
1234025	R1QEBRM28F-0404	-4	6	1/4	35	140	NPTF	1/4	36	14,1	72	19
1234026	R1QEBRM28F-0606	-6	10	3/8	27	108	NPTF	3/8	40	18,9	83	24
1234027	R1QEBAM28F-0808	-8	13	1/2	27	108	NPTF	1/2	44	20,5	88,2	27
1234028	R1QEBRM28F-1212	-12	19	3/4	20	80	NPTF	3/4	49	27,9	108	34
1234029	R1QEBRM28F-1616	-16	25	1	20	80	NPTF	1	64	31,3	127	41

BSPP connection according to DIN 3852-2-X, NPTF connection according to ANSI B1-20.3.



DN 6 to 25  
to max. WP 400 bar  
ISO 5675  
SAE J 1036

- Quick and simple coupling and uncoupling
- One-hand push-pull operation
- Break-away function
- Low pressure drop

**TOP COAT**



**ARGUS SVK-1H-ISO-A quick release couplings** are used for quick coupling and uncoupling of loaded lines. During the coupling action in zero or low-pressure ranges, valves that release or block the flow are automatically activated.

The SVK-1H-ISO-A quick release coupling, formed by the coupling plug and the coupling socket, is coupled by pushing on a sleeve. This guarantees a flush connection between the two coupling halves. The sleeve is designed so that it has only to be moved in the relevant direction for disconnecting or connecting of coupling halves. SVK-1H-ISO-A quick release couplings can be used as pull-off couplings by panel mounting the sleeve bush.

**Materials**

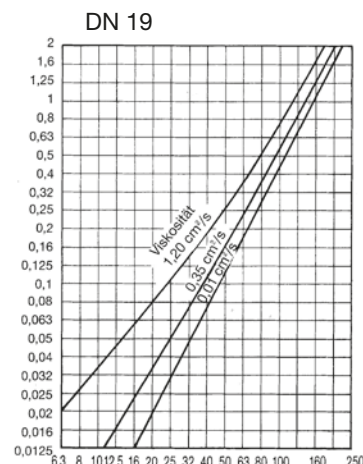
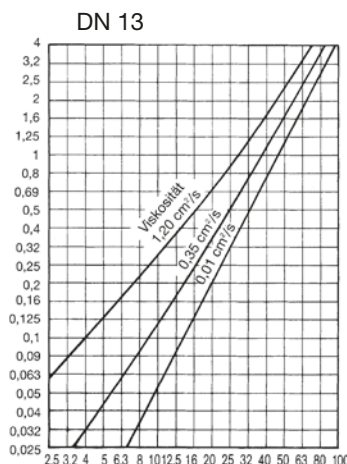
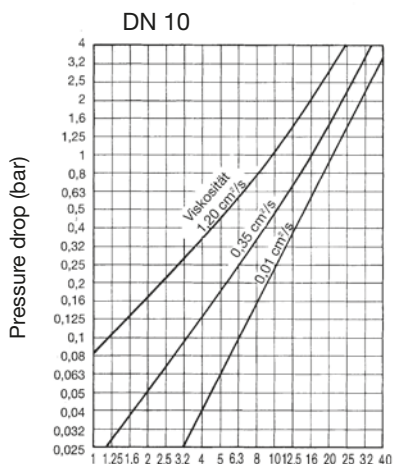
Galvanised steel with hardened parts subject to wear – HNBR O-rings (other materials optional) – Galvanised steel threaded adapters for various connection types – Polyethylene dust cap and dust plug (see SVK-ISO-A). TOP COAT Cr-III zinc plating with additional trivalent passivation for outstanding surface protection.

**Suitable** for liquid lines with mineral oil-based hydraulic fluids to DIN 51524 T1+T2. Also available for flame-resistant hydraulic fluids to VDMA 24317, for pneumatics and water hydraulics in appropriate materials on request.

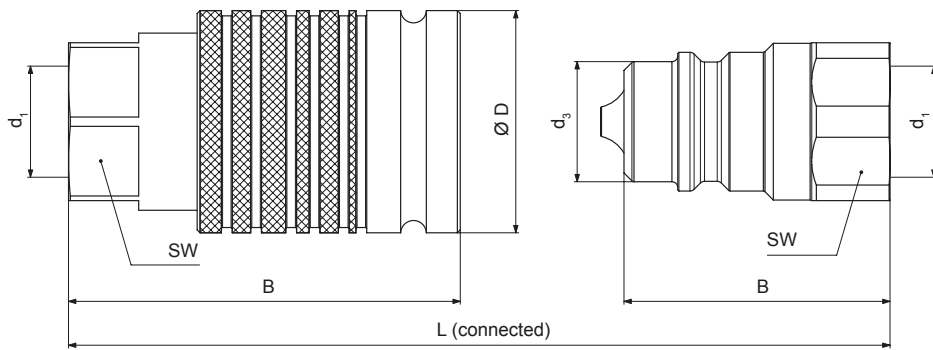
**Temperature range:**  
from -30 °C to +125 °C.

**Additionally to the connection threads shown in the following tables, further types and sizes are available on request.**

Specific instructions for installation, use and maintenance are separately provided.



Flow rate (l/min)



**STANDARD ISO 7241 A PUSH PULL - Poppet SVK-1H-ISO-A**

**Female coupling - female thread**

Item Code	Part Number	DASH		inch	WP Conn./ disconn. MPa	Min BP Conn./ disconn. MPa	Thread	d <sub>1</sub> inch / mm	B mm	Ø D mm	L mm	SW mm
		DASH	DN									
1233831	R1Q-1233831	-4	6	1/4	40	160	BSPP	1/4	46,5	25	64,1	19
1233832	R1Q-1233832	-6	10	3/8	40	160	BSPP	3/8	55,5	32	75,2	22
1234559	R1Q-1234559	-8	13	1/2	25	100	BSPP	1/2	63,5	38	86,7	27
1233833	R1Q-1233833	-12	19	3/4	25	100	BSPP	3/4	80	45	105,9	35
1233834	R1Q-1233834	-16	25	1	25	100	BSPP	1	94,5	52	121,4	40
1233879	R1Q-1233879	-4	6	1/4	40	160	NPTF	1/4	46,5	25	64,1	19
1233880	R1Q-1233880	-6	10	3/8	40	160	NPTF	3/8	55,5	32	75,2	22
1234560	R1Q-1234560	-8	13	1/2	25	100	NPTF	1/2	63,5	38	86,7	27
1233881	R1Q-1233881	-12	19	3/4	25	100	NPTF	3/4	80	45	105,9	35
1233882	R1Q-1233882	-16	25	1	25	100	NPTF	1	94,5	52	121,4	40
1233883	R1Q-1233883	-4	6	1/4	40	160	SAE/UNF	7/16 -20	46,5	25	64,1	19
1233884	R1Q-1233884	-6	10	3/8	40	160	SAE/UNF	3/4 -16	57,5	32	79,2	24
1234561	R1Q-1234561	-8	13	1/2	25	100	SAE/UNF	3/4 -16	63,5	38	86,7	27
1233885	R1Q-1233885	-12	19	3/4	25	100	SAE/UN	1 1/16-12	82,5	45	110,9	35
1233886	R1Q-1233886	-16	25	1	25	100	SAE/UN	1 5/16-12	94,5	52	121,4	40
1233887	R1Q-1233887	-6	10	3/8	40	160	MET	M16x1,5	54	32	73,2	22
1234562	R1Q-1234562	-8	13	1/2	25	100	MET	M22x1,5	63,5	38	86,7	27
1233888	R1Q-1233888	-12	19	3/4	25	100	MET	M30x1,5	77	45	99,4	35

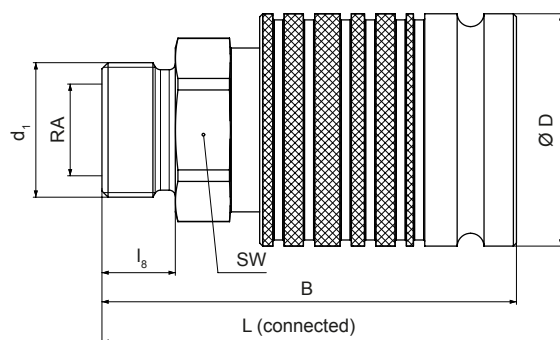
BSPP connection according to DIN 3852-2-X, NPTF connection according to ANSI B1-20.3, metric connection according to DIN 3852, SAE UNF/UN connection according to SAE J 1926-1.

**STANDARD ISO 7241 A PUSH PULL - Poppet SVK-1H-ISO-A**

**Male coupling - female thread**

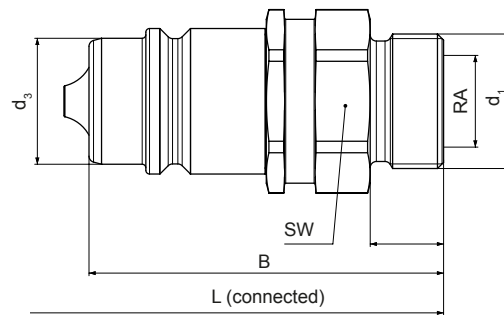
Item Code	Part Number	DASH		inch	WP Conn./ disconn. MPa	Min BP Conn./ disconn. MPa	Thread	d <sub>1</sub> inch / mm	B mm	d <sub>3</sub> mm	L mm	SW mm								
		DASH	DN																	
SEE SVK-ISO-A page 6		-4	6	1/4			BSPP	1/4												
		-6	10	3/8			BSPP	3/8												
		-8	12	1/2			BSPP	1/2												
		-12	19	3/4			BSPP	3/4												
		-16	25	1			BSPP	1												
		-4	6	1/4			NPTF	1/4												
		-6	10	3/8			NPTF	3/8												
		-8	12	1/2			NPTF	1/2												
		-12	19	3/4			NPTF	3/4												
		-16	25	1			NPTF	1												
		1233893	R1Q-1233893	-4			6	1/4					40	160	SAE/UNF	7/16 -20	32	11,8	64,1	19
		1233894	R1Q-1233894	-6			10	3/8					40	160	SAE/UNF	3/4 -16	39,5	17,3	79,2	24
1234565	R1Q-1234565	-8	12	1/2	25	100	SAE/UNF	3/4 -16	49,5	20,5	86,7	27								
1233895	R1Q-1233895	-12	19	3/4	25	100	SAE/UN	1 1/16-12	55,5	29,1	110,9	35								
1233896	R1Q-1233896	-16	25	1	25	100	SAE/UN	1 5/16-12	60,5	34,3	121,3	40								
1233897	R1Q-1233897	-6	10	3/8	40	160	MET	M16x1,5	36	17,3	73,2	22								
1234566	R1Q-1234566	-8	12	1/2	25	100	MET	M22x1,5	49,5	20,5	86,7	27								
1233898	R1Q-1233898	-12	19	3/4	25	100	MET	M30x1,5	49,5	29,1	99,4	35								

BSPP connection according to DIN 3852-2-X, NPTF connection according to ANSI B1-20.3, metric connection according to DIN 3852, SAE UNF/UN connection according to SAE J 1926-1.


**STANDARD ISO 7241 A PUSH PULL - Poppet SVK-1H-ISO-A**
**Female coupling - metric 24° light/heavy series**

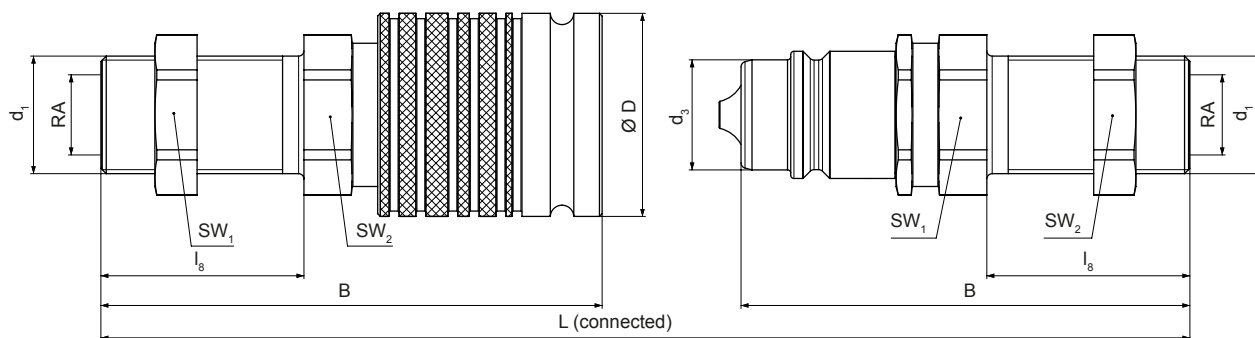
Item Code	Part Number	DASH		DN		WP Conn./ disconn. MPa	Min BP Conn./ disconn. MPa	Fitting	RA mm	d <sub>1</sub> mm	B mm	Ø D mm	L mm	I <sub>8</sub> mm	SW mm
		inch	inch	inch	inch										
1234843	R1Q-1234843	-4	6	1/4	40	160	D24L	6	M12x1,5	52	25	84,6	10	19	
1234644	R1Q-1234644	-4	6	1/4	40	160	D24L	8	M14x1,5	52	25	84,6	10	19	
1233900	R1Q-1233900	-6	10	3/8	40	160	D24L	8	M14x1,5	58	32	89,7	10	22	
1233901	R1Q-1233901	-6	10	3/8	40	160	D24L	10	M16x1,5	59	32	91,7	11	22	
1234844	R1Q-1234844	-8	13	1/2	25	100	D24L	8	M14x1,5	65,8	38	100,1	10	27	
1234646	R1Q-1234646	-8	12	1/2	25	100	D24L	10	M16x1,5	66,8	38	102,1	11	27	
1234649	R1Q-1234649	-8	12	1/2	25	100	D24L	12	M18x1,5	66,8	38	102,1	11	27	
1234655	R1Q-1234655	-8	12	1/2	25	100	D24L	15	M22x1,5	67,8	38	104,1	12	27	
1234845	R1Q-1234845	-8	13	1/2	25	100	D24L	18	M26x1,5	67,8	38	104,1	12	32	
1234846	R1Q-1234846	-12	19	3/4	25	100	D24L	12	M18x1,5	80	45	117,9	11	36	
1233902	R1Q-1233902	-12	19	3/4	25	100	D24L	15	M22x1,5	81	45	119,9	12	36	
1233903	R1Q-1233903	-12	19	3/4	25	100	D24L	18	M26x1,5	81	45	119,9	12	36	
1233904	R1Q-1233904	-12	19	3/4	25	100	D24L	22	M30x2,0	83	45	123,9	14	36	
1234847	R1Q-1234847	-16	25	1	20	80	D24L	18	M26x1,5	94	52	137,4	12	41	
1234656	R1Q-1234656	-16	25	1	20	80	D24L	22	M30x2,0	96	52	141,4	14	41	
1234848	R1Q-1234848	-16	25	1	20	80	D24L	28	M36x2,0	96	52	141,4	14	41	
1234849	R1Q-1234849	-16	25	1	20	80	D24L	35	M45x2,0	98	52	145,4	16	50	
1233911	R1Q-1233911	-6	10	3/8	40	160	D24S	8	M16x1,5	51,5	32	93,7	12	22	
1233912	R1Q-1233912	-6	10	3/8	40	160	D24S	10	M18x1,5	51,5	32	93,7	12	22	
1233913	R1Q-1233913	-6	10	3/8	40	160	D24S	12	M20x1,5	51,5	32	93,7	12	22	
1234850	R1Q-1234850	-8	13	1/2	25	100	D24S	10	M18x1,5	67,8	38	104,1	12	27	
1234667	R1Q-1234667	-8	12	1/2	25	100	D24S	12	M20x1,5	67,8	38	104,1	12	27	
1234668	R1Q-1234668	-8	12	1/2	25	100	D24S	14	M22x1,5	67,8	38	104,1	12	27	
1234669	R1Q-1234669	-8	12	1/2	25	100	D24S	16	M24x1,5	69,8	38	108,1	14	27	
1233914	R1Q-1233914	-12	19	3/4	25	100	D24S	16	M24x1,5	83	45	123,9	14	36	
1233915	R1Q-1233915	-12	19	3/4	25	100	D24S	20	M30x2,0	85	45	127,9	16	36	
1233916	R1Q-1233916	-12	19	3/4	25	100	D24S	25	M36x2,0	87	45	131,9	18	36	
1234851	R1Q-1234851	-16	25	1	20	80	D24S	20	M30x2,0	98	52	145,4	16	41	
1234670	R1Q-1234670	-16	25	1	20	80	D24S	25	M36x2,0	100	52	149,4	18	41	
1234852	R1Q-1234852	-16	25	1	20	80	D24S	30	M42x2,0	102	52	153,4	20	41	
1234853	R1Q-1234853	-16	25	1	20	80	D24S	38	M52x2,0	104	52	157,4	22	55	


Metric connection according to DIN EN ISO 8434-1.


**STANDARD ISO 7241 A PUSH PULL - Poppet SVK-1H-ISO-A**
**Male coupling - metric 24° light/heavy series**

Item Code	Part Number	Metric connection symbol			WP Conn./ disconn. MPa	Min BP Conn./ disconn. MPa	Fitting	RA mm	d <sub>1</sub> mm	B mm	d <sub>3</sub> mm	L mm	I <sub>8</sub> mm	SW mm
		DASH	DN	inch										
1234832	R1Q-1234832	-4	6	1/4	40	160	D24L	6	M12x1,5	47	11,9	84,6	10	19
1234657	R1Q-1234657	-4	6	1/4	40	160	D24L	8	M14x1,5	47	11,9	84,6	10	19
1234658	R1Q-1234658	-6	10	3/8	40	160	D24L	8	M14x1,5	49,5	17,3	89,7	10	22
1234659	R1Q-1234659	-6	10	3/8	40	160	D24L	10	M16x1,5	50,5	17,3	91,7	11	22
1234833	R1Q-1234833	-8	13	1/2	25	100	D24L	8	M14x1,5	56	20,6	100,1	10	27
1234660	R1Q-1234660	-8	12	1/2	25	100	D24L	10	M16x1,5	57	20,6	102,1	11	27
1234661	R1Q-1234661	-8	12	1/2	25	100	D24L	12	M18x1,5	57	20,6	102,1	11	27
1234662	R1Q-1234662	-8	12	1/2	25	100	D24L	15	M22x1,5	58	20,6	104,1	12	27
1234834	R1Q-1234834	-8	13	1/2	25	100	D24L	18	M26x1,5	58	20,6	104,1	12	32
1234835	R1Q-1234835	-12	19	3/4	25	100	D24L	12	M18x1,5	65	29,1	117,9	11	36
1234663	R1Q-1234663	-12	19	3/4	25	100	D24L	15	M22x1,5	66	29,1	119,9	12	36
1234664	R1Q-1234664	-12	19	3/4	25	100	D24L	18	M26x1,5	66	29,1	119,9	12	36
1234665	R1Q-1234665	-12	19	3/4	25	100	D24L	22	M30x2,0	68	29,1	123,9	14	36
1234836	R1Q-1234836	-16	25	1	20	80	D24L	18	M26x1,5	77	34,3	137,4	12	41
1234666	R1Q-1234666	-16	25	1	20	80	D24L	22	M30x2,0	79	34,3	141,4	14	41
1234837	R1Q-1234837	-16	25	1	20	80	D24L	28	M36x2,0	79	34,3	141,4	14	41
1234838	R1Q-1234838	-16	25	1	20	80	D24L	35	M45x2,0	81	34,3	145,4	16	50
1234671	R1Q-1234671	-6	10	3/8	40	160	D24S	8	M16x1,5	51,5	17,3	93,7	12	22
1234672	R1Q-1234672	-6	10	3/8	40	160	D24S	10	M18x1,5	51,5	17,3	93,7	12	22
1234673	R1Q-1234673	-6	10	3/8	40	160	D24S	12	M20x1,5	51,5	17,3	93,7	12	22
1234839	R1Q-1234839	-8	13	1/2	25	100	D24S	10	M18x1,5	58	20,6	104,1	12	27
1234674	R1Q-1234674	-8	12	1/2	25	100	D24S	12	M20x1,5	58	20,6	104,1	12	27
1234675	R1Q-1234675	-8	12	1/2	25	100	D24S	14	M22x1,5	58	20,6	104,1	12	27
1234676	R1Q-1234676	-8	12	1/2	25	100	D24S	16	M24x1,5	60	20,6	108,1	14	27
1234677	R1Q-1234677	-12	19	3/4	25	100	D24S	16	M24x1,5	68	29,1	123,9	14	36
1234678	R1Q-1234678	-12	19	3/4	25	100	D24S	20	M30x2,0	70	29,1	125,9	16	36
1233923	R1Q-1233923	-12	19	3/4	25	100	D24S	25	M36x2,0	72	29,1	131,9	18	36
1234840	R1Q-1234840	-16	25	1	20	80	D24S	20	M30x2,0	81	34,3	145,4	16	41
1234679	R1Q-1234679	-16	25	1	20	80	D24S	25	M36x2,0	83	34,3	149,4	18	41
1234841	R1Q-1234841	-16	25	1	20	80	D24S	30	M42x2,0	85	34,3	153,4	20	41
1234842	R1Q-1234842	-16	25	1	20	80	D24S	38	M52x2,0	87	34,3	157,4	22	55


Metric connection according to DIN EN ISO 8434-1.


**STANDARD ISO 7241 A - Poppet SVK-1H-ISO-A**
**Female coupling - metric 24° light series bulkhead**

Item Code	Part Number				WP Conn./ disconn. MPa	Min BP Conn./ disconn. MPa	Fitting	RA mm	d <sub>1</sub> mm	B mm	ø D mm	L mm	I <sub>B</sub> mm	SW <sub>1</sub> mm	SW <sub>2</sub> mm
		DASH	DN	inch											
1234855	R1Q-1234855	-4	6	1/4	40	160	D24L	6	M12x1,5	52	25	84,6	34	19	17
1234856	R1Q-1234856	-4	6	1/4	40	160	D24L	8	M14x1,5	67	25	114,6	25	19	19
1234857	R1Q-1234857	-6	10	3/8	40	160	D24L	8	M14x1,5	58	32	89,7	34	22	19
1234858	R1Q-1234858	-6	10	3/8	40	160	D24L	10	M16x1,5	77,5	32	128,7	27	22	22
1234859	R1Q-1234859	-8	13	1/2	25	100	D24L	8	M14x1,5	65,8	38	100,1	34	27	19
1234860	R1Q-1234860	-8	13	1/2	25	100	D24L	10	M16x1,5	66,8	38	102,1	35	27	22
1234861	R1Q-1234861	-8	13	1/2	25	100	D24L	12	M18x1,5	66,8	38	102,1	36	27	24
1234862	R1Q-1234862	-8	13	1/2	25	100	D24L	15	M22x1,5	85,8	38	158,1	30	40	30
1234863	R1Q-1234863	-8	13	1/2	25	100	D24L	18	M26x1,5	85,8	38	158,1	30	40	36
1234864	R1Q-1234864	-12	19	3/4	25	100	D24L	12	M18x1,5	80	45	117,9	36	36	24
1234865	R1Q-1234865	-12	19	3/4	25	100	D24L	15	M22x1,5	81	45	119,9	38	36	30
1234866	R1Q-1234866	-12	19	3/4	25	100	D24L	18	M26x1,5	81	45	119,9	40	36	36
1234867	R1Q-1234867	-12	19	3/4	25	100	D24L	22	M30x2,0	83	45	123,9	42	36	41
1234905	R1Q-1234905	-16	25	1	20	80	D24L	22	M26x2,0	94	52	137,4	40	41	36
1234869	R1Q-1234869	-16	25	1	20	80	D24L	22	M30x2,0	124	52	197,4	42	45	41
1234870	R1Q-1234870	-16	25	1	20	80	D24L	28	M36x2,0	125	52	199,4	43	45	46
1234871	R1Q-1234871	-16	25	1	20	80	D24L	35	M45x2,0	98	52	145,4	47	50	55

Metric connection according to DIN EN ISO 8434-1.

**STANDARD ISO 7241 A - Poppet SVK-1H-ISO-A**
**Male coupling - metric 24° light series bulkhead**

Item Code	Part Number				WP Conn./ disconn. MPa	Min BP Conn./ disconn. MPa	Fitting	RA mm	d <sub>1</sub> mm	B mm	d <sub>3</sub> mm	L mm	I <sub>B</sub> mm	SW <sub>1</sub> mm	SW <sub>2</sub> mm
		DASH	DN	inch											
1234872	R1Q-1234872	-4	6	1/4	40	160	D24L	6	M12x1,5	47	25	132,6	34	19	17
1234873	R1Q-1234873	-4	6	1/4	40	160	D24L	8	M14x1,5	62	25	114,6	25	19	19
1234874	R1Q-1234874	-6	10	3/8	40	160	D24L	8	M14x1,5	49,5	32	137,7	34	22	19
1234875	R1Q-1234875	-6	10	3/8	40	160	D24L	10	M16x1,5	69	32	128,7	27	22	22
1234876	R1Q-1234876	-8	13	1/2	25	100	D24L	8	M14x1,5	56	38	148,1	34	27	19
1234877	R1Q-1234877	-8	13	1/2	25	100	D24L	10	M16x1,5	57	38	150,1	35	27	22
1234878	R1Q-1234878	-8	13	1/2	25	100	D24L	12	M18x1,5	57	38	152,1	36	27	24
1234879	R1Q-1234879	-8	13	1/2	25	100	D24L	15	M22x1,5	76	38	158,1	30	40	30
1234880	R1Q-1234880	-8	13	1/2	25	100	D24L	18	M26x1,5	76	38	158,1	30	40	36
1234881	R1Q-1234881	-12	19	3/4	25	100	D24L	12	M18x1,5	65	45	167,9	36	36	24
1234882	R1Q-1234882	-12	19	3/4	25	100	D24L	15	M22x1,5	66	45	171,9	38	36	30
1234883	R1Q-1234883	-12	19	3/4	25	100	D24L	18	M26x1,5	66	45	175,9	40	36	36
1234884	R1Q-1234884	-12	19	3/4	25	100	D24L	22	M30x2,0	68	45	179,9	42	36	41
1234906	R1Q-1234906	-16	25	1	20	80	D24L	22	M26x2,0	77	52	193,4	40	41	36
1234885	R1Q-1234885	-16	25	1	20	80	D24L	22	M30x2,0	107	52	197,4	42	45	41
1234886	R1Q-1234886	-16	25	1	20	80	D24L	28	M36x2,0	108	52	199,4	43	45	46
1234887	R1Q-1234887	-16	25	1	20	80	D24L	35	M45x2,0	81	52	207,4	47	50	55

Metric connection according to DIN EN ISO 8434-1.





DN 8 to 19  
to max. WP 400 bar  
SAE J 1036

- Quick and simple coupling and uncoupling
- One-hand push pull operation
- Break-away function
- Low pressure drop
- DN 12 compatible with ISO 7241-1-A

**TOP COAT**



**ARGUS SVK-1H quick release couplings** are used for quick coupling and uncoupling of hydraulic lines. During the coupling action in zero or low-pressure ranges, valves that release or block the flow are automatically activated. The SVK-1H quick release coupling, formed by the coupling plug and the coupling socket, is coupled by pushing on a sleeve. This guarantees a flush connection between the two coupling halves. The sleeve is designed so that it has only to be moved in the relevant direction for disconnecting or connecting of coupling halves. SVK-1H quick release couplings can be used as pull-off couplings by panel mounting the sleeve bush.

**Materials**

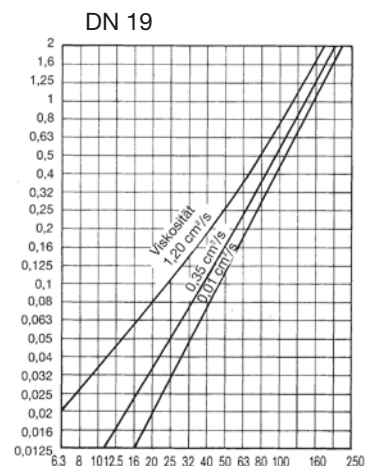
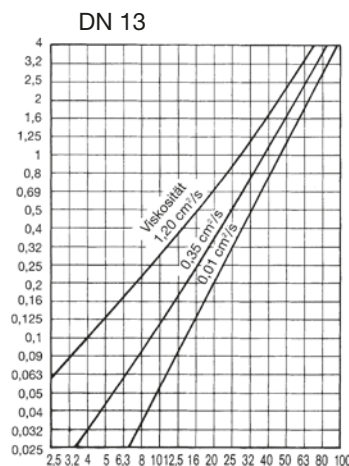
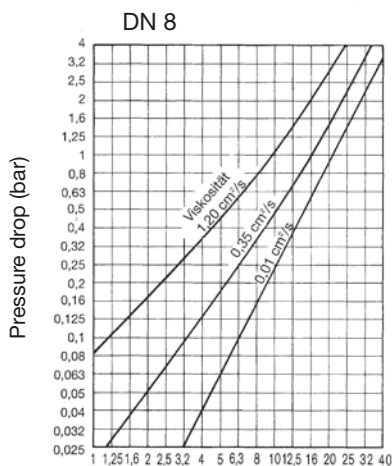
Galvanised steel with hardened parts subject to wear – Brass valve stem guide – TPE poppet valve seal (PTFE optional) – HNBR O-rings (other materials optional) – Galvanised steel threaded adapters for various connection types – Polyethylene dust cap and dust plug. TOP COAT Cr-III zinc plating with additional trivalent passivation for outstanding surface protection.

**Suitable** for liquid lines with mineral oil-based hydraulic fluids to DIN 51524 T1+T2. Also available for flame-resistant hydraulic fluids to VDMA 24317, for pneumatics and water hydraulics in appropriate materials on request.

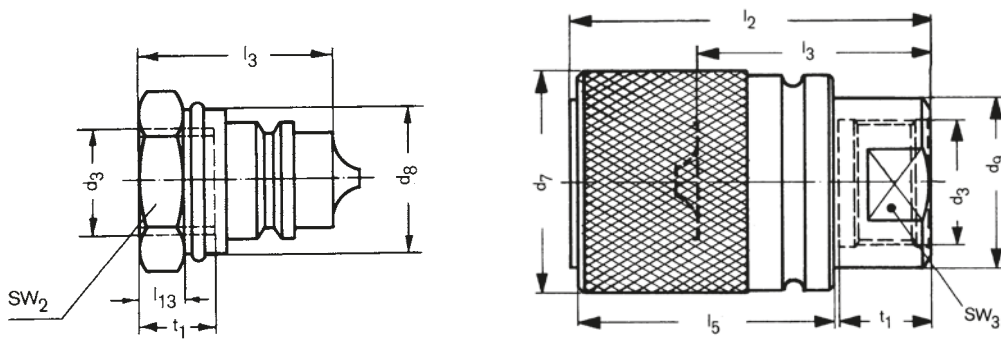
**Temperature range:** from -30 °C to +125 °C.


**Additionally to the connection threads shown in the following tables, further types and sizes are available on request.**

Specific instructions for installation, use and maintenance are separately provided.




Flow rate (l/min)


**STANDARD ISO 5675 - Poppet SVK-1H**
**Female coupling - female thread**

Item Code	Part Number				WP Conn./ disconn. MPa	Thread	d <sub>3</sub>	d <sub>7</sub>	d <sub>9</sub>	l <sub>2</sub>	l <sub>3</sub>	l <sub>5</sub>	t <sub>1</sub>	SW <sub>3</sub>
		DASH	DN	inch			inch / mm	mm	mm	mm	mm	mm	mm	mm
1219634	R1Q-340008	-5	8	5/16	40	BSPP	3/8	32	24	54	36	45	9	19
1219632	R1Q-340010	-8	13	1/2	25	BSPP	1/2	39	30	63	41	45	16	27
1229069	R1Q-340013	-12	19	3/4	25	BSPP	1	51	43	88,5	55	68	18	36
1229089	R1Q-340007	-5	8	5/16	40	MET	M16x1,5	32	24	54	36	45	9	19
1229090	R1Q-340009	-8	13	1/2	25	MET	M22x1,5	39	30	63	41	45	16	27
1229091	R1Q-340130	-12	19	3/4	25	MET	M30x1,5	51	43	88,5	55	68	18	36

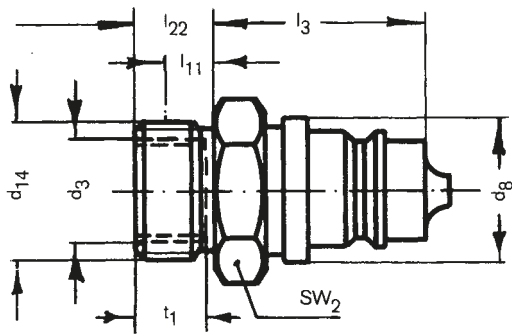
BSPP connection according to DIN 3852-2-X, NPTF connection according to ANSI B1-20.3, metric connection according to DIN 3852, SAE UNF/UN connection according to SAE J 1926-1.

**STANDARD ISO 5675 - Poppet SVK-1H**
**Male coupling - female thread**

Item Code	Part Number				WP Conn./ disconn. MPa	Thread	d <sub>3</sub>	d <sub>8</sub>	l <sub>3</sub>	l <sub>13</sub>	t <sub>1</sub>	SW <sub>2</sub>
		DASH	DN	inch			inch / mm	mm	mm	mm	mm	mm
1219633	R1Q-340002	-5	8	5/16	40	BSPP	3/8	22	36	10	14	22
1219631	R1Q-340003	-8	13	1/2	25	BSPP	1/2	27	45	18	16	27
1229020	R1Q-340006	-12	19	3/4	25	BSPP	1	41	55	20	18	41
1229061	R1Q-340000	-5	8	5/16	40	MET	M16x1,5	22	36	10	14	22
1229062	R1Q-340001	-8	13	1/2	25	MET	M22x1,5	27	45	18	16	27
1229063	R1Q-340005	-12	19	3/4	25	MET	M30x1,5	41	55	20	18	41

BSPP connection according to DIN 3852-2-X, NPTF connection according to ANSI B1-20.3, metric connection according to DIN 3852, SAE UNF/UN connection according to SAE J 1926-1.



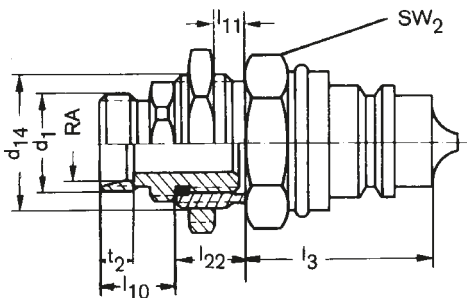


**STANDARD ISO 5675 - Poppet SVK-1H**

**Male coupling - internal/external thread panel mounting**

Item Code	Part Number	DASH			WP Conn./ disconn. MPa	Thread	d <sub>3</sub> mm	d <sub>14</sub> mm	d <sub>8</sub> mm	l <sub>3</sub> mm	l <sub>11</sub> ** mm	l <sub>22</sub> mm	t <sub>1</sub> mm	SW <sub>2</sub>
		-	DN	inch										
1229058	R1Q-340132	-5	8	5/16	40	MET	M16x1,5	M26x1,5	22	36	9	15	14	27
1229059	R1Q-340133	-8	13	1/2	25	MET	M22x1,5	M30x1,0	27	33	9	15	16	32
1229060	R1Q-340134	-12	19	3/4	25	MET	M30x1,5	M45x1,5	41	55	18	28	18	46

Metric connection according to DIN 3852.



**STANDARD ISO 5675 - Poppet SVK-1H**

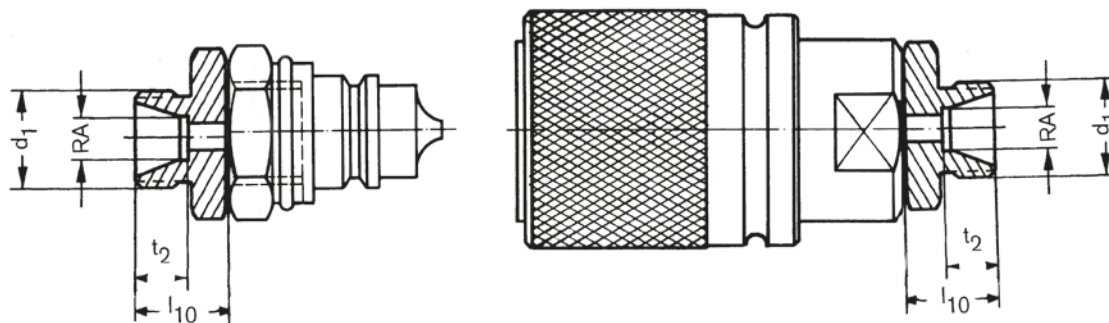
**Male coupling - metric 24° light/heavy series panel mounting**


Item Code	Part Number	DASH			WP Conn./ disconn. MPa	Fitting	RA mm	d <sub>1</sub> mm	d <sub>14</sub> mm	l <sub>3</sub> mm	l <sub>10</sub> mm	l <sub>11</sub> ** mm	l <sub>22</sub> mm	t <sub>2</sub> mm	SW <sub>2</sub> mm
		-	DN	inch											
1229022	R1Q-340112	-5	8	5/16	40	D24L	6	M12x1,5	M26x1,5	36	15	9	15	7	27
1229024	R1Q-340113	-5	8	5/16	40	D24L	8	M14x1,5	M26x1,5	36	15	9	15	7	27
1229026	R1Q-340114	-5	8	5/16	40	D24L	10	M16x1,5	M26x1,5	36	16	9	15	7	27
1229028	R1Q-340115	-8	13	1/2	25	D24L	10	M16x1,5	M30x1,0	33	17	9	15	7	32
1229030	R1Q-340116	-8	13	1/2	25	D24L	12	M18x1,5	M30x1,0	33	17	9	15	7	32
1229031	R1Q-340117	-8	13	1/2	25	D24L	15	M22x1,5	M30x1,0	33	18	9	15	7	32
1229034	R1Q-340118	-12	19	3/4	25	D24L	15	M22x1,5	M45x1,5	55	19	18	28	7	46
1229036	R1Q-340119	-12	19	3/4	25	D24L	18	M26x1,5	M45x1,5	55	21	18	28	7,5	46
1229037	R1Q-340120	-12	19	3/4	25	D24L	22	M30x2,0	M45x1,5	55	21	18	28	7,5	46
1229041	R1Q-340121*	-5	8	5/16	40	D24S	8	M16x1,5	M26x1,5	36	17	9	15	7	27
1229043	R1Q-340122*	-5	8	5/16	40	D24S	10	M18x1,5	M26x1,5	36	17	9	15	7,5	27
1229044	R1Q-340123*	-5	8	5/16	40	D24S	12	M20x1,5	M26x1,5	36	17	9	15	7,5	27
1229047	R1Q-340124*	-8	13	1/2	25	D24S	12	M20x1,5	M30x1,0	33	18	9	15	7,5	32
1229049	R1Q-340125*	-8	13	1/2	25	D24S	14	M22x1,5	M30x1,0	33	20	9	15	8	32
1229050	R1Q-340126*	-8	13	1/2	25	D24S	16	M24x1,5	M30x1,0	33	20	9	15	8,5	32
1229053	R1Q-340127*	-12	19	3/4	25	D24S	16	M24x1,5	M45x1,5	55	21	18	28	8,5	46
1229054	R1Q-340128*	-12	19	3/4	25	D24S	20	M30x2,0	M45x1,5	55	23	18	28	10,5	46
1229055	R1Q-340129*	-12	19	3/4	25	D24S	25	M36x2,0	M45x1,5	55	25	18	28	12	46

Metric connection according to DIN EN ISO 8434-1.

\* on request

\*\* max panel width


**STANDARD ISO 5675 - Poppet SVK-1H**
**Female coupling - metric 24° light series**

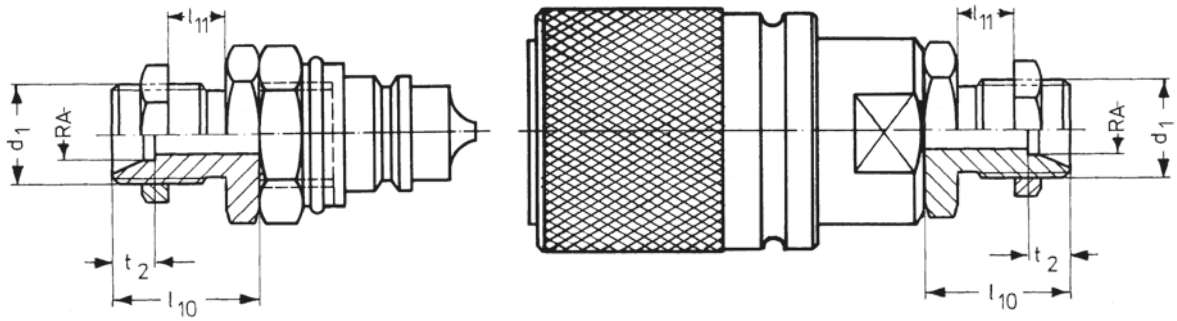
Item Code	Part Number				WP Conn./ disconn. MPa	Fitting	RA mm	d <sub>1</sub> mm	l <sub>10</sub> mm	t <sub>2</sub> mm
		DASH	DN	inch						
1229070	R1Q-340046	-5	8	5/16	40	D24L	6	M12x1,5	15	7
1229071	R1Q-340047	-5	8	5/16	40	D24L	8	M14x1,5	15	7
1229072	R1Q-340048	-5	8	5/16	40	D24L	10	M16x1,5	16	7
1229073	R1Q-340049	-8	13	1/2	25	D24L	10	M16x1,5	17	7
1229074	R1Q-340050	-8	13	1/2	25	D24L	12	M18x1,5	17	7
1229075	R1Q-340051	-8	13	1/2	25	D24L	15	M22x1,5	18	7
1229076	R1Q-340052	-12	19	3/4	25	D24L	15	M22x1,5	19	7
1229077	R1Q-340053	-12	19	3/4	25	D24L	18	M26x1,5	19	7,5
1229078	R1Q-340054	-12	19	3/4	25	D24L	22	M30x2,0	21	7,5

Metric connection according to DIN EN ISO 8434-1.

**STANDARD ISO 5675 - Poppet SVK-1H**
**Male coupling - metric 24° light series**


Item Code	Part Number				WP Conn./ disconn. MPa	Fitting	RA mm	d <sub>1</sub> mm	l <sub>10</sub> mm	t <sub>2</sub> mm
		DASH	DN	inch						
1229021	R1Q-340037	-5	8	5/16	40	D24L	6	M12x1,5	15	7
1229023	R1Q-340038	-5	8	5/16	40	D24L	8	M14x1,5	15	7
1229025	R1Q-340039	-5	8	5/16	40	D24L	10	M16x1,5	16	7
1229027	R1Q-340040	-8	13	1/2	25	D24L	10	M16x1,5	17	7
1229029	R1Q-340041	-8	13	1/2	25	D24L	12	M18x1,5	17	7
1229032	R1Q-340042	-8	13	1/2	25	D24L	15	M22x1,5	18	7
1229033	R1Q-340043	-12	19	3/4	25	D24L	15	M22x1,5	19	7
1229035	R1Q-340044	-12	19	3/4	25	D24L	18	M26x1,5	19	7,5
1229038	R1Q-340045	-12	19	3/4	25	D24L	22	M30x2,0	21	7,5

Metric connection according to DIN EN ISO 8434-1.



**STANDARD ISO 5675 - Poppet SVK-1H**


**Female coupling - metric 24° light series bulkhead**

Item Code	Part Number				WP Conn./ disconn. MPa	Fitting	RA mm	d <sub>1</sub> mm	l <sub>10</sub> mm	t <sub>2</sub> mm
		DASH	DN	inch						
1229079	R1Q-341415	-8	13	1/2	25	D24L	12	M18x1,5	31	7

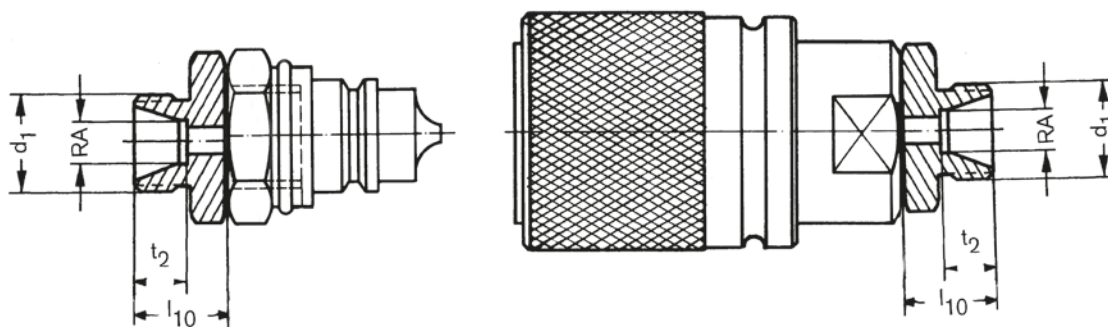
Metric connection according to DIN EN ISO 8434-1.


**STANDARD ISO 5675 - Poppet SVK-1H**

**Male coupling - metric 24° light series bulkhead**

Item Code	Part Number				WP Conn./ disconn. MPa	Fitting	RA mm	d <sub>1</sub> mm	l <sub>10</sub> mm	t <sub>2</sub> mm
		DASH	DN	inch						
1229039	R1Q-341414	-8	13	1/2	25	D24L	12	M18x1,5	31	7


Metric connection according to DIN EN ISO 8434-1.


**STANDARD ISO 5675 - Poppet SVK-1H**
**Female coupling - metric 24° heavy series**

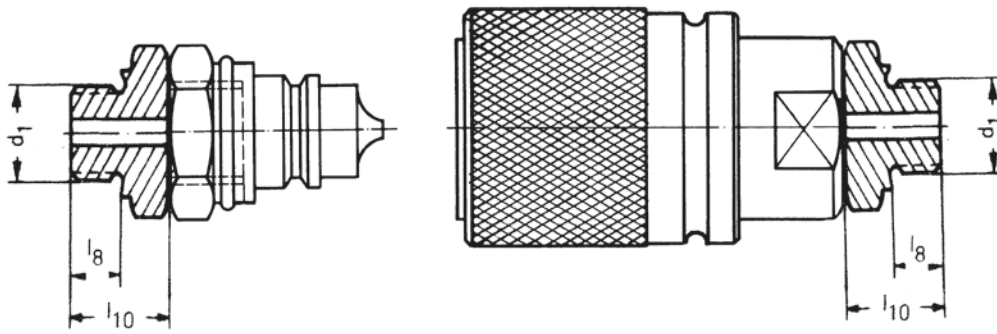
Item Code	Part Number				WP Conn./ disconn. MPa	Fitting	RA mm	d <sub>1</sub> mm	l <sub>10</sub> mm	t <sub>2</sub> mm
		DASH	DN	inch						
1229080	R1Q-340085	-5	8	5/16	40	D24S	8	M16x1,5	17	7
1229081	R1Q-340086	-5	8	5/16	40	D24S	10	M18x1,5	17	7,5
1229082	R1Q-340087	-5	8	5/16	40	D24S	12	M20x1,5	17	7,5
1229083	R1Q-340088	-8	13	1/2	25	D24S	12	M20x1,5	18	7,5
1229084	R1Q-340089	-8	13	1/2	25	D24S	14	M22x1,5	20	8
1229085	R1Q-340090	-8	13	1/2	25	D24S	16	M24x1,5	20	8,5
1229086	R1Q-340091	-12	19	3/4	25	D24S	16	M24x1,5	21	8,5
1229087	R1Q-340092	-12	19	3/4	25	D24S	20	M30x2,0	23	10,5
1229088	R1Q-340093	-12	19	3/4	25	D24S	25	M36x2,0	25	12

Metric connection according to DIN EN ISO 8434-1.

**STANDARD ISO 5675 - Poppet SVK-1H**
**Male coupling - metric 24° heavy series**


Item Code	Part Number				WP Conn./ disconn. MPa	Fitting	RA mm	d <sub>1</sub> mm	l <sub>10</sub> mm	t <sub>2</sub> mm
		DASH	DN	inch						
1229040	R1Q-340067	-5	8	5/16	40	D24S	8	M16x1,5	17	7
1229042	R1Q-340068	-5	8	5/16	40	D24S	10	M18x1,5	17	7,5
1229045	R1Q-340069	-5	8	5/16	40	D24S	12	M20x1,5	17	7,5
1229046	R1Q-340070	-8	13	1/2	25	D24S	12	M20x1,5	18	7,5
1229048	R1Q-340071	-8	13	1/2	25	D24S	14	M22x1,5	20	8
1229051	R1Q-340072	-8	13	1/2	25	D24S	16	M24x1,5	20	8,5
1229052	R1Q-340073	-12	19	3/4	25	D24S	16	M24x1,5	21	8,5
1229056	R1Q-340074	-12	19	3/4	25	D24S	20	M30x2,0	23	10,5
1229057	R1Q-340075	-12	19	3/4	25	D24S	25	M36x2,0	25	12

Metric connection according to DIN EN ISO 8434-1.



**STANDARD ISO 5675 - Poppet SVK-1H**


**Female coupling - male thread**

Item Code	Part Number				WP Conn./ disconn. MPa	Fitting	d <sub>1</sub> inch	l <sub>8</sub> mm	l <sub>10</sub> mm
		DASH	DN	inch					
1229064	R1Q-340094	-5	8	5/16	40	AGF	1/4	12	19
1229065	R1Q-340095	-5	8	5/16	40	AGF	3/8	12	19
1229066	R1Q-340096	-8	13	1/2	25	AGF	1/2	14	23
1229068	R1Q-340097	-12	19	3/4	25	AGF	3/4	16	29
1229067	R1Q-340098	-12	19	3/4	25	AGF	1	18	31

AGF connection according to DIN 3901 heavy duty range with pipe thread G (BSPP), type A to DIN 3852-2.


**STANDARD ISO 5675 - Poppet SVK-1H**

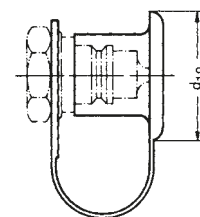
**Male coupling - male thread**


Item Code	Part Number				WP Conn./ disconn. MPa	Fitting	d <sub>1</sub> inch	l <sub>8</sub> mm	l <sub>10</sub> mm
		DASH	DN	inch					
1229015	R1Q-340076	-5	8	5/16	40	AGF	1/4	12	19
1229016	R1Q-340077	-5	8	5/16	40	AGF	3/8	12	19
1229017	R1Q-340078	-8	13	1/2	25	AGF	1/2	14	23
1229019	R1Q-340079	-12	19	3/4	25	AGF	3/4	16	29
1229018	R1Q-340080	-12	19	3/4	25	AGF	1	18	31

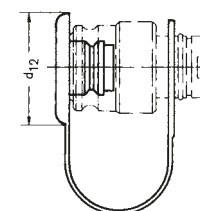
AGF connection according to DIN 3901 heavy duty range with pipe thread G (BSPP), type A to DIN 3852-2.

**STANDARD ISO 5675 - Poppet SVK-1H**
**Black dust cap (for male coupling)**

Item Code	Part Number	DASH			d <sub>12</sub>	
			DN	inch	mm	mm
1228896	RT-NE00002	-5	8	5/16	45	
1228891	RT-P900001	-8	13	1/2	50	
1228893	RT-NE00001	-12	19	3/4	65	


**STANDARD ISO 5675 - Poppet SVK-1H**
**Black dust plug (for female coupling)**

Item Code	Part Number	DASH			d <sub>12</sub>	
			DN	inch	mm	mm
1228903	RT-NE00007	-5	8	5/16	45	
1228898	RT-P600006	-8	13	1/2	50	
1228900	RT-NE00006	-12	19	3/4	65	



DN 8 to 13

WP 20 bar

- Base material aluminium
- Break-away function
- One-hand push pull operation
- Low pressure drop

**ARGUS PVK-Racing quick release couplings**

are used for quick coupling and uncoupling of fluid lines. During the coupling action in zero or low-pressure ranges, valves that release or block the flow are automatically activated.

The PVK-Racing quick release coupling, formed by the coupling plug and the coupling socket, is coupled by pushing on a sleeve.

This guarantees a flush connection between the two coupling halves. The sleeve is designed so that it has only to be moved in the relevant direction for disconnecting or connecting of coupling halves. PVK-Racing quick release couplings can be used as pull-off couplings by panel mounting the sleeve bush.

**Materials**

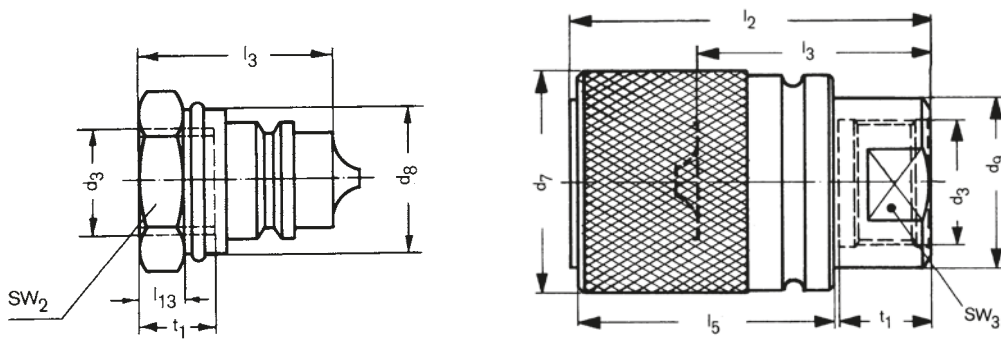
Aluminium – Brass valve stem guide – TPE poppet valve seal (PTFE optional) – NBR O-rings (other materials optional) – Polyethylene dust cap and dust plug.

**Temperature range:**

from -30 °C to +100 °C.

**Additionally to the connection threads shown in the following tables, further types and sizes are available on request.**

Specific instructions for installation, use and maintenance are separately provided.


**STANDARD ISO 5675 - Poppet PVK-RACING**
**Female coupling - female thread**

Item Code	Part Number				WP Conn./ disconn. MPa	Thread	d <sub>3</sub>	d <sub>7</sub>	d <sub>9</sub>	l <sub>2</sub>	l <sub>3</sub>	l <sub>5</sub>	t <sub>1</sub>	SW <sub>3</sub>
		DASH	DN	inch			inch	mm	mm	mm	mm	mm	mm	mm
1233975	R5Q-340008	-5	8	5/16	2	BSPP	3/8	32	24	54	36	45	9	19
	ON REQUEST	-8	13	1/2	2	BSPP	1/2	39	30	63	41	45	16	27

BSPP connection according to DIN 3852-2-X.

**STANDARD ISO 5675 - Poppet PVK-RACING**
**Male coupling - female thread**

Item Code	Part Number				WP Conn./ disconn. MPa	Thread	d <sub>3</sub>	d <sub>8</sub>	l <sub>3</sub>	l <sub>13</sub>	t <sub>1</sub>	SW <sub>2</sub>
		DASH	DN	inch			inch	mm	mm	mm	mm	mm
1233976	R5Q-340002	-5	8	5/16	2	BSPP	3/8	22	36	10	14	22
	ON REQUEST	-8	13	1/2	2	BSPP	1/2	-	45	18	16	27

BSPP connection according to DIN 3852-2-X.



DN 13  
WP 250 bar  
SAE J 1036

- Connectable with male part under pressure
- One-hand push pull operation
- Break-away function
- Low pressure drop
- Compatible with ISO 7241-1-A

**TOP COAT**

**Connectable under pressure ARGUS SPK-1H quick release couplings** are not only for coupling to hydraulic auxiliary equipment under residual pressure, but they also prevent from unintentional closing through the intervening backflow effect (i.e. through quickly reducing loads).

The double valve stroke required for the coupling to a pressurized plug is limited in the operating condition by a lock, which is not disengaged until decoupling occurs.

This prevents any uncontrolled blocking of the hydraulic flow.

Rated flow / pressure drop values on request.

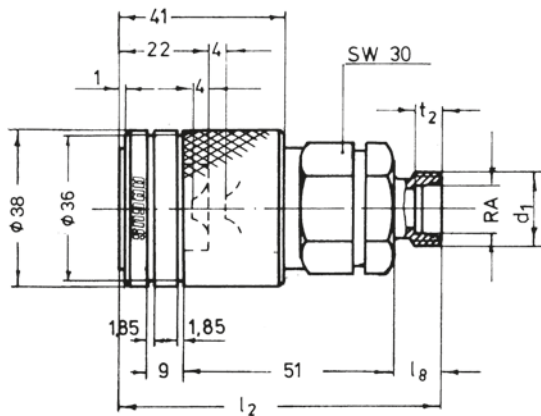
**The sleeve must be relieved during the coupling action.**

The pressurized cartridge valve is opened by applying pressure on the socket side.


**Materials**, flow losses and temperatures are comparable to ARGUS SVK-1H quick release couplings. The two couplings can be interchanged, coupled and used as a pull-off coupling. For use with SVK-ISO-A or SVK-1H coupling plugs.

**Additionally to the connection threads shown in the following tables, further types and sizes are available on request.**

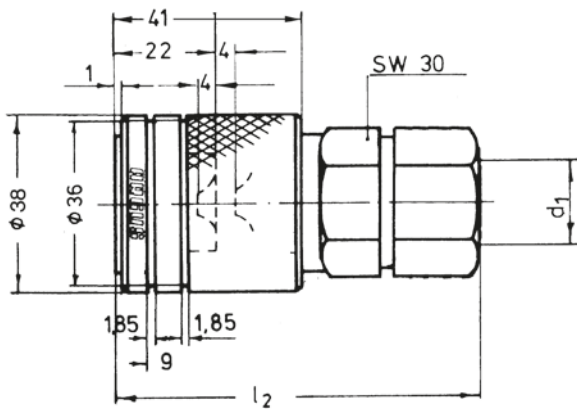
Specific instructions for installation, use and maintenance are separately provided.




**STANDARD ISO 5675 - Poppet SPK-1H**  
**Female coupling - metric 24° light series**

Item Code	Part Number				WP Conn./ disconn. MPa	Min BP Conn./ disconn. MPa	Fitting	RA mm	d <sub>1</sub> mm	l <sub>2</sub> mm	l <sub>8</sub> mm	t <sub>2</sub> mm
		DASH	DN	inch								
1229008	R1Q-341400	-8	13	1/2	25	100	D24L	10	M16x1,5	80	11	7
1229009	R1Q-340389	-8	13	1/2	25	100	D24L	12	M18x1,5	78	11	7
1229010	R1Q-340399	-8	13	1/2	25	100	D24L	15	M22x1,5	78	12	7

Metric connection according to DIN EN ISO 8434-1.



**STANDARD ISO 5675 - Poppet SPK-1H**  
**Female coupling - female thread**

Item Code	Part Number				WP Conn./ disconn. MPa	Min BP Conn./ disconn. MPa	Thread	d <sub>1</sub> inch / mm	l <sub>2</sub> mm
		DASH	DN	inch					
1231470	R1Q-1231470	-8	13	1/2	25	100	BSPP	1/2	84
1231471	R1Q-1231471	-8	13	1/2	25	100	NPTF	1/2	84
1231472	R1Q-1231472	-8	13	1/2	25	100	SAE/UNF	3/4 -16	84
1231473	R1Q-1231473	-8	13	1/2	25	100	MET	M22x1,5	84

BSPP connection according to DIN 3852-2-X, NPTF connection according to ANSI B1-20.3, metric connection according to DIN 3852, SAE UNF/UN connection according to SAE J 1926-1.

DN 13  
WP 250 bar  
ISO 5675

- Connectable with male part under pressure
- Low effort to connect under pressure
- One-hand push pull operation
- Break-away function
- Compatible with ISO 7241-1-A

**Patent Pending****TOP COAT**

**Connectable under pressure ARGUS SRK-1H quick release couplings** are specifically designed to be directly connected to rigid pipes or distributors.

**Materials**

Galvanised steel with hardened parts subject to wear – Brass valve stem guide – TPE poppet valve seal (PTFE optional) – HNBR O-rings (other materials optional) – Polyethylene dust cap and dust plug. TOP COAT Cr-III zinc plating with additional trivalent passivation for outstanding surface protection.

Rated flow / pressure drop values on request.

**Suitable** for liquid lines with mineral oil-based hydraulic fluids to DIN 51524 T1+T2.

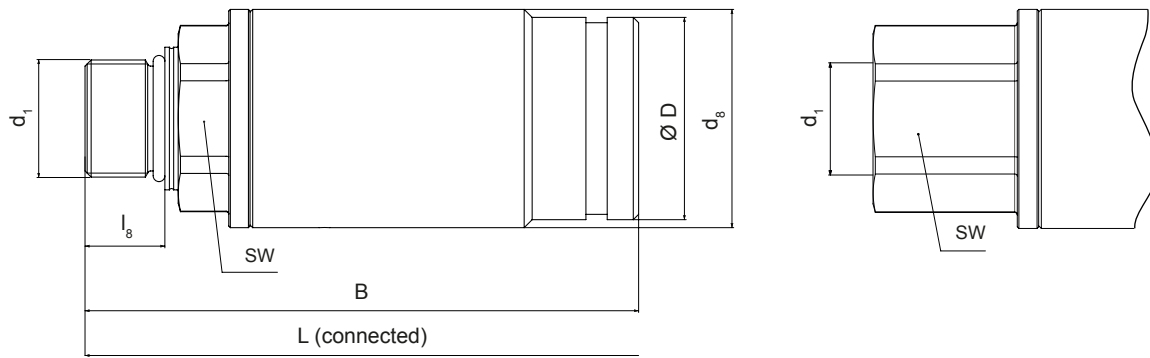
Also available for flame-resistant hydraulic fluids to VDMA 24317, for pneumatics and water hydraulics in appropriate materials on request.

**Temperature range:**

from -30 °C to +125 °C.

**Additionally to the connection threads shown in the following tables, further types and sizes are available on request.**

Specific instructions for installation, use and maintenance are separately provided.


**STANDARD ISO 5675 - Poppet SRK-1H**
**Female coupling - male thread**

Item Code	Part Number				WP Conn./ disconn. MPa	Min BP Conn./ disconn. MPa	Thread	d <sub>1</sub> mm	B mm	Ø D mm	d <sub>8</sub> mm	L mm	l <sub>8</sub> mm	SW mm
		DASH	DN	inch										
1232324	R1Q-1232324	-8	13	1/2	25	100	MET	M22x1,5	104	38	41	140,2	15	32
1234641	R1Q-1234641	-8	13	1/2	25	100	MET	M18x1,5	103	38	41	138,2	14	32

Metric connection according to ISO 6149-2 (DIN 3852)

**STANDARD ISO 5675 - Poppet SRK-1H**
**Female coupling - female thread**

Item Code	Part Number				WP Conn./ disconn. MPa	Min BP Conn./ disconn. MPa	Thread	d <sub>1</sub> inch	B mm	Ø D mm	d <sub>8</sub> mm	L mm	SW mm
		DASH	DN	inch									
1235028	R1Q-1235028	-8	13	1/2	25	100	BSPP	1/2	104	38	41	140,2	32
1235029	R1Q-1235029	-8	13	1/2	25	100	NPTF	1/2	103	38	41	138,2	32

BSPP connection according to DIN 3852-2-X, NPTF connection according to ANSI B1-20.3

DN 13  
WP 250 bar  
ISO 5675

- Connectable with male and female under pressure
- Low effort to connect under pressure
- One-hand push pull operation
- Break-away function
- Compatible with ISO 7241-1-A

**Patent Pending****TOP COAT**

**Connectable under pressure ARGUS SKK-1H quick release couplings** are specifically designed to be directly connected to rigid pipes or distributors.

**Materials**

Galvanised steel with hardened parts subject to wear – Brass valve stem guide – TPE poppet valve seal (PTFE optional) – HNBR O-rings (other materials optional) – Polyethylene dust cap and dust plug. TOP COAT Cr-III zinc plating with additional trivalent passivation for outstanding surface protection.

**Suitable** for liquid lines with mineral oil-based hydraulic fluids to DIN 51524 T1+T2.

Also available for flame-resistant hydraulic fluids to VDMA 24317, for pneumatics and water hydraulics in appropriate materials on request.

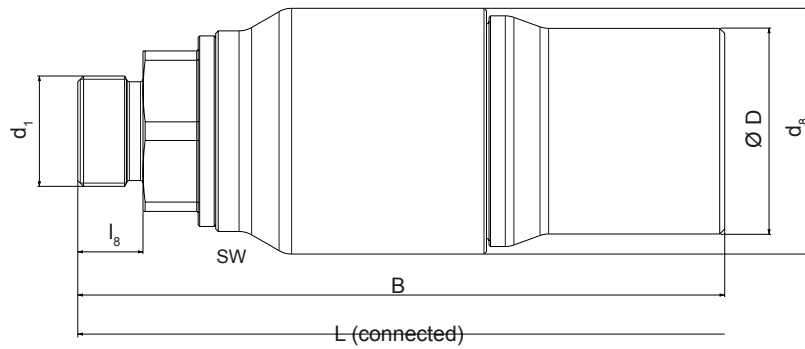
**Temperature range:**

from -30 °C to +125 °C.

**Additionally to the connection threads shown in the following tables, further types and sizes are available on request.**

Specific instructions for installation, use and maintenance are separately provided.

Rated flow / pressure drop values on request.




**STANDARD ISO 5675 - Poppet SKK-1H**

**Female coupling - male thread**

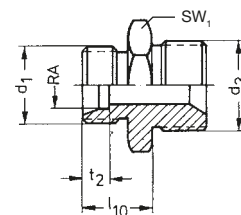
Item Code	Part Number				WP Conn./ disconn. MPa	Min BP Conn./ disconn. MPa	Thread	d <sub>1</sub> mm	B mm	Ø D mm	d <sub>3</sub> mm	L mm	I <sub>8</sub> mm	SW mm
		DASH	DN	inch										
1232489	R1Q-1232489	-8	13	1/2	25	100	MET	M22x1,5	132,5	38	49	168,7	15	32
1234792	R1Q-1234792	-8	13	1/2	25	100	MET	M18x1,5	131,5	38	49	166,7	15	32


Metric connection according to ISO 6149-2 (DIN 3852).

**Threaded adapters for types SVK-1H, RV and LBS**

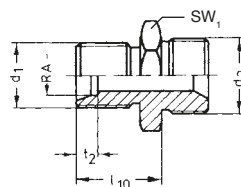
Item Code	Part Number				RA	Fitting	d <sub>1</sub>	Fitting	d <sub>3</sub>	l <sub>10</sub>	t <sub>2</sub>	SW <sub>1</sub>
		DASH	DN	inch								
1228860	RA-SI00011	-5	8	5/16	6	D24L	M12x1,5	MET	M16x1,5	15	7	19
1228862	RA-SI00007	-5	8	5/16	8	D24L	M14x1,5	MET	M16x1,5	15	7	19
1228863	RA-MA00003	-5	8	5/16	10	D24L	M16x1,5	MET	M16x1,5	16	7	19
1228842	RA-SI00012	-8	13	1/2	10	D24L	M16x1,5	MET	M22x1,5	17	7	24
1228843	RA-MA00002	-8	13	1/2	12	D24L	M18x1,5	MET	M22x1,5	17	7	24
1228845	RA-SI00009	-8	13	1/2	15	D24L	M22x1,5	MET	M22x1,5	18	7	24
1228851	RA-IN00001	-12	19	3/4	15	D24L	M22x1,5	MET	M30x1,5	19	7	32
1228853	RA-SI00008	-12	19	3/4	18	D24L	M26x1,5	MET	M30x1,5	19	7,5	32
1228854	RA-SI00010	-12	19	3/4	22	D24L	M30x2,0	MET	M30x1,5	21	7,5	32


Metric connection according to DIN EN ISO 8434-1.



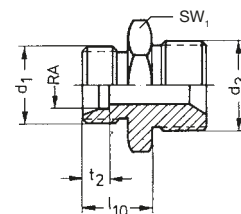
Item Code	Part Number				RA	Fitting	d <sub>1</sub>	Fitting	d <sub>3</sub>	l <sub>10</sub>	t <sub>2</sub>	SW <sub>1</sub>
		DASH	DN	inch								
1228861	RA-SI00013	-8	13	1/2	12	D24L BH	M18x1,5	MET	M22x1,5	31	7	24

Metric connection according to DIN EN ISO 8434-1.



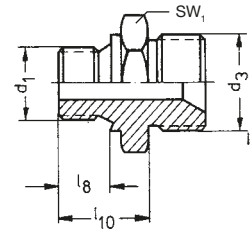
Item Code	Part Number				RA	Fitting	d <sub>1</sub>	Fitting	d <sub>3</sub>	l <sub>10</sub>	t <sub>2</sub>	SW <sub>1</sub>
		DASH	DN	inch								
1228864	RA-SI00005	-5	8	5/16	8	D24S	M16x1,5	MET	M16x1,5	17	7	19
1228865	RA-SI00016	-5	8	5/16	10	D24S	M18x1,5	MET	M16x1,5	17	7,5	19
1228866	RA-SI00017	-5	8	5/16	12	D24S	M20x1,5	MET	M16x1,5	17	7,5	22
1228844	RA-SI00020	-8	13	1/2	12	D24S	M20x1,5	MET	M22x1,5	18	7,5	24
1228846	RA-SI00015	-8	13	1/2	14	D24S	M22x1,5	MET	M22x1,5	20	8	24
1228847	RA-MA00001	-8	13	1/2	16	D24S	M24x1,5	MET	M22x1,5	20	8,5	24
1228852	RA-SI00019	-12	19	3/4	16	D24S	M24x1,5	MET	M30x1,5	21	8,5	32
1228855	RA-SI00006	-12	19	3/4	20	D24S	M30x2,0	MET	M30x1,5	23	10,5	32
1228856	RA-SI00018	-12	19	3/4	25	D24S	M36x2,0	MET	M30x1,5	25	12	36

Metric connection according to DIN EN ISO 8434-1.




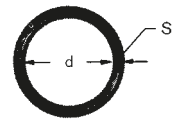
**Threaded adapters for types SVK-1H, RV and LBS**

Item Code	Part Number				Fitting	d <sub>1</sub> inch	Fitting	d <sub>3</sub> mm	l <sub>8</sub> mm	l <sub>10</sub> mm	SW <sub>1</sub> mm
		DASH	DN	inch							
1228858	RA-MA00004	-5	8	5/16	AGF	1/4	MET	M16x1,5	12	19	19
1228859	RA-SI00044	-5	8	5/16	AGF	3/8	MET	M16x1,5	12	20	22
1228841	RA-SI00043	-8	13	1/2	AGF	1/2	MET	M22x1,5	14	23	27
1228850	RA-SI00030	-12	19	3/4	AGF	3/4	MET	M30x1,5	16	29	32
1228849	RA-BU00007	-12	19	3/4	AGF	1	MET	M30x1,5	18	31	41



AGF connection according to DIN 3901 heavy duty range with pipe thread G (BSPP), type A to DIN 3852-2.

Item Code	Part Number				O-Ring d x s
		DASH	DN	inch	
1209221	HNOJ0800-120200	-5	8	5/16	12 x 2
1214466	HNOJ0800-180200	-8	13	1/2	18 x 2
1209227	HNOJ0800-260200	-12	19	3/4	26 x 2



NBR 80SH O-Rings.



DN 13  
WP 350 bar

- To easily adapt flat face to ISO A couplings

**Patent Pending**

**TOP COAT**



**ARGUS Quick Release Adapters** provide an easy and reliable connection between female poppet ISO 7241 A and male flat face ISO 16028 couplings, or between female flat face ISO 16028 and male poppet ISO 7241 A couplings. This allows the user to adapt an already existing quick release part to a new type of connection.

#### **Materials**

Housing and valves galvanised steel with hardened parts subject to wear.

Seals HNBR (other materials on request) – backup rings PTFE – Polyethylene dust cap and dust plug.

TOP COAT Cr-III zinc plating with additional trivalent passivation for outstanding surface protection.

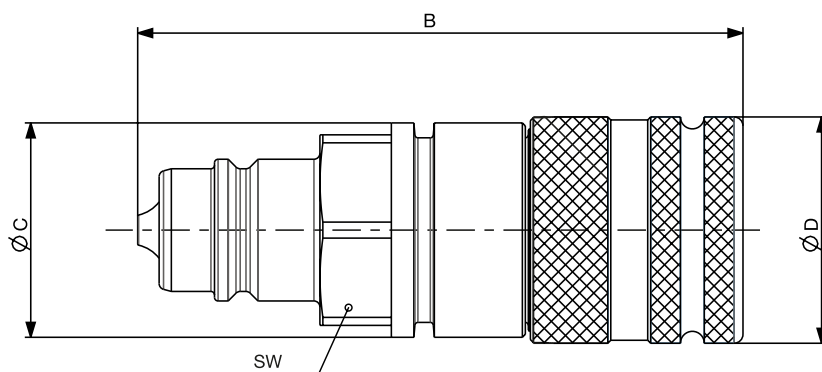
**Suitable** for fluid lines with mineral oil based hydraulic fluids according DIN 51524 T1 + T2. Also available for flame-resistant hydraulic fluids to VDMA 24317, for pneumatics and water hydraulics in appropriate materials on request.

#### **Temperature range:**

from -30 °C to +125 °C.


**Additionally to the connection threads shown in the following tables, further types and sizes are available on request.**

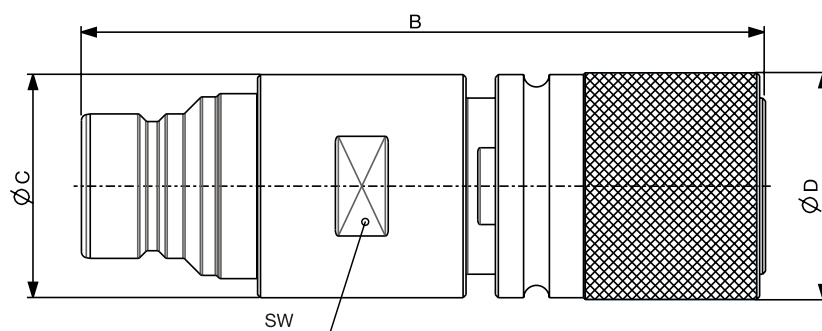
Specific instructions for installation, use and maintenance are separately provided.



**QUICK RELEASE ADAPTER - Flat face - ISO A 1/2"**


**Female flat face ISO 16028 - Male poppet ISO 7241 A**

Item Code	Part Number				WP Connected MPa	Min BP Connected MPa	B mm	Ø C mm	Ø D mm	SW mm
		DASH	DN	inch						
1230322	R1Q-1230322	-8	13	1/2	35	140	102,1	38	38	32



**QUICK RELEASE ADAPTER - Flat face - ISO A 1/2"**

**Male flat face ISO 16028 - Female poppet ISO 7241 A**

Item Code	Part Number				WP Connected MPa	Min BP Connected MPa	B mm	Ø C mm	Ø D mm	SW mm
		DASH	DN	inch						
1230323	R1Q-1230323	-8	13	1/2	35	140	116,5	38	38,6	34

DN 13  
WP 350 bar

- To easily adapt flat face to ISO A couplings
- Male flat face part connectable under pressure
- To make a standard ISO A coupling a flat face connectable under pressure

**Patent Pending****TOP COAT**

**Connectable under pressure ARGUS Quick Release Adapter** provide an easy and reliable connection between female poppet ISO 7241 A and male flat face ISO 16028 couplings, or between female flat face ISO 16028 and male poppet ISO 7241 A couplings. This allows the user to adapt an already existing quick release part to a new type of connection.

**Materials**

Housing and valves galvanised steel with hardened parts subject to wear.

Seals HNBR (other materials on request) – backup rings PTFE – Polyethylene dust cap and dust plug.

TOP COAT Cr-III zinc plating with additional trivalent passivation for outstanding surface protection.

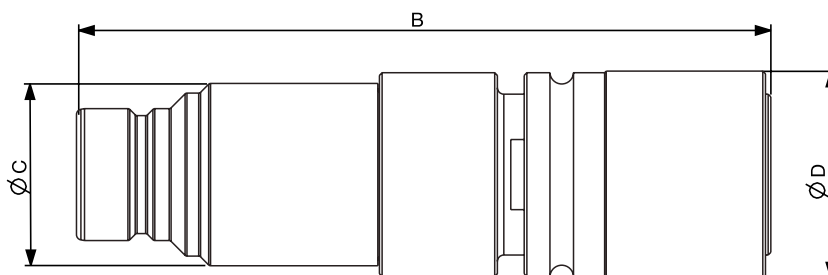
**Suitable** for fluid lines with mineral oil based hydraulic fluids according DIN 51524 T1 + T2. Also available for flame-resistant hydraulic fluids to VDMA 24317, for pneumatics and water hydraulics in appropriate materials on request.

**Temperature range:**

from -30 °C to +125 °C.


**Additionally to the connection threads shown in the following tables, further types and sizes are available on request.**

Specific instructions for installation, use and maintenance are separately provided.



**QUICK RELEASE ADAPTER - Flat face - ISO A 1/2"**

**Male flat face ISO 16028 - Female poppet ISO 7241 A**

Item Code	Part Number				WP Connected	Min BP Connected	B	Ø C	Ø D	SW
		DASH	DN	inch	MPa	MPa	mm	mm	mm	mm
1233977	R1Q-1233977	-6	10	3/8	35	140				
1232286	R1Q-1232286	-8	13	1/2	35	140	129,5	38	38,6	34

DN 6 to 25  
WP 350 bar

- Flow performance optimized by CFD
- Low leak-oil rates, eco-friendly
- Robust, compact and lightweight
- Extended temperature range

**Patent Pending**

**TOP COAT**



**ARGUS FPK flat face quick release couplings** are used for quick coupling and uncoupling of hydraulic lines. During the coupling action in zero or low-pressure ranges, valves that release or block the flow are automatically activated. The FPK flat face quick release coupling, formed by a coupling plug and a coupling socket, is coupled by pushing on a sleeve. This guarantees a flush connection between the two coupling halves. The sleeve is designed to be moved in the relevant direction for disconnecting or connecting the coupling halves. A safety system against accidental uncoupling is present on the female part.

**Materials**

Galvanised steel with hardened parts subject to wear.  
HNBR seals (other materials on request) – backup rings PTFE – Polyethylene dust cap and dust plug.  
TOP COAT Cr-III zinc plating with additional trivalent passivation for outstanding surface protection.

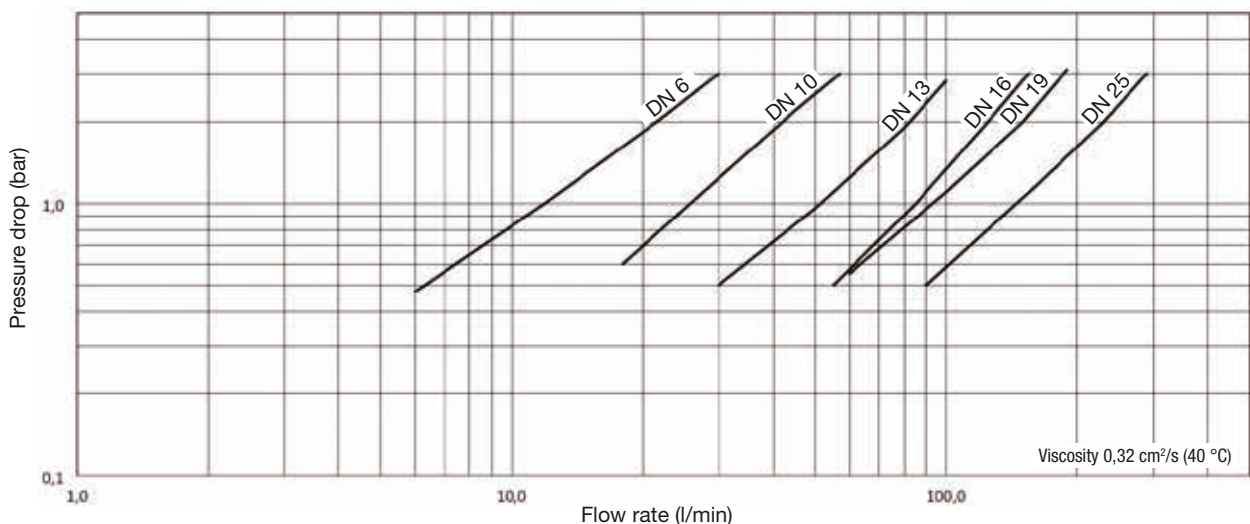
**Suitable** for fluid lines with mineral oil based hydraulic fluids according DIN 51524 T1+T2. Also available for flame-resistant hydraulic fluids to VDMA 24317, for pneumatics and water hydraulics in appropriate materials on request.

**Temperature range:**

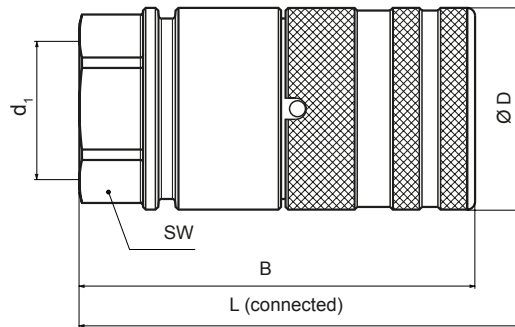
from -30 °C to +125 °C.

**Additionally to the connection threads shown in the following tables, further types and sizes are available on request.**

Specific instructions for installation, use and maintenance are separately provided.

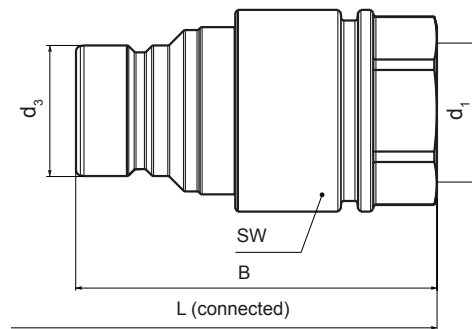



Values obtained with the same nominal size of coupling and connection (e.g. coupling 1/2", connection BSP 1/2"). For the evaluation of the actual pressure drops and for the comparison among different quick couplings, it is strictly needed to be aware of the test conditions those values have been determined at.


**STANDARD ISO 16028 - Flat face FPK**
**Female coupling - female thread**

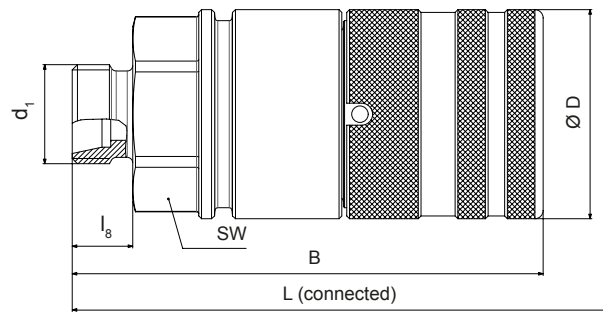
Item Code	Part Number	DASH		inch	WP Conn./ disconn. MPa	Min BP Conn./ disconn. MPa	Thread	d <sub>1</sub> inch/ mm	B mm	Ø D mm	L mm	SW mm
		DN										
1229101	R1Q-1229101	-4	6	1/4	35	140	BSPP	1/4	57,8	28	97	20
1229102	R1Q-1229102	-6	10	3/8	35	140	BSPP	3/8	71,3	32	119	27
1224380	R1Q-1224380	-6	10	3/8	35	140	BSPP	1/2	71,3	32	119	27
1229103	R1Q-1229103	-8	13	1/2	35	140	BSPP	1/2	74,5	38	125	32
1224381	R1Q-1224381	-8	13	1/2	35	140	BSPP	3/4	74,5	38	125	32
1232287	R1Q-1232287	-10	16	5/8	35	140	BSPP	3/4	81,3	40	134	34
1229105	R1Q-1229105	-12	19	3/4	35	140	BSPP	3/4	93	48	156	42
1224382	R1Q-1224382	-12	19	3/4	35	140	BSPP	1	93	48	156	42
1231464	R1Q-1231464	-16	25	1	35	140	BSPP	1	101	55	177	50
1229106	R1Q-1229106	-16	25	1	35	140	BSPP	1 1/4	101	55	177	50
1229213	R1Q-1229213	-4	6	1/4	35	140	NPTF	1/4	57,8	28	97	20
1229214	R1Q-1229214	-6	10	3/8	35	140	NPTF	3/8	71,3	32	119	27
1229215	R1Q-1229215	-6	10	3/8	35	140	NPTF	1/2	71,3	32	119	27
1229216	R1Q-1229216	-8	13	1/2	35	140	NPTF	1/2	74,5	38	125	32
1229217	R1Q-1229217	-8	13	1/2	35	140	NPTF	3/4	74,5	38	125	32
1232382	R1Q-1232382	-10	16	5/8	35	140	NPTF	3/4	81,3	40	134	34
1229219	R1Q-1229219	-12	19	3/4	35	140	NPTF	3/4	93	48	156	42
1232460	R1Q-1232460	-12	19	3/4	35	140	NPTF	1	93	48	156	42
1231467	R1Q-1231467	-16	25	1	35	140	NPTF	1	101	55	177	50
1233075	R1Q-1233075	-16	25	1	35	140	NPTF	1 1/4	101	55	177	50
1233978	R1Q-1233978	-4	6	1/4	35	140	SAE/UNF	7/16 -20	57,8	28	97	20
1229236	R1Q-1229236	-6	10	3/8	35	140	SAE/UNF	9/16 -18	69,3	32	117	27
1229238	R1Q-1229238	-8	13	1/2	35	140	SAE/UNF	3/4 -16	74,5	38	125	32
1232384	R1Q-1232384	-10	16	5/8	35	140	SAE/UN	1 1/16-12	81,3	40	134	34
1229241	R1Q-1229241	-12	19	3/4	35	140	SAE/UN	1 1/16-12	93	48	156	42
1229243	R1Q-1229243	-16	25	1	35	140	SAE/UN	1 5/16-12	101	55	177	50
1231469	R1Q-1231469	-6	10	3/8	35	140	MET	M22x1,5	69,3	32	117	27


BSPP connection according to DIN 3852-2-X, NPTF connection according to ANSI B1-20.3, metric connection according to ISO 6149-1, SAE UNF/UN connection according to SAE J 1926-1.


**STANDARD ISO 16028 - Flat face FPK**
**Male coupling - female thread**

Item Code	Part Number				WP Conn./ disconn. MPa	Min BP Conn./ disconn. MPa	Thread	d <sub>1</sub> inch/ mm	B mm	d <sub>3</sub> mm	L mm	SW mm
		DASH	DN	inch								
1229109	R1Q-1229109	-4	6	1/4	35	140	BSPP	1/4	50,5	16,2	97	20
1229110	R1Q-1229110	-6	10	3/8	35	140	BSPP	3/8	64	19,7	119	27
1229111	R1Q-1229111	-6	10	3/8	35	140	BSPP	1/2	64	19,7	119	27
1229112	R1Q-1229112	-8	13	1/2	35	140	BSPP	1/2	68	24,6	125	32
1224377	R1Q-1224377	-8	13	1/2	35	140	BSPP	3/4	68	24,6	125	32
1232288	R1Q-1232288	-10	16	5/8	35	140	BSPP	3/4	70	27	134	34
1229113	R1Q-1229113	-12	19	3/4	35	140	BSPP	3/4	85	29,9	156	42
1224378	R1Q-1224378	-12	19	3/4	35	140	BSPP	1	85	29,9	156	42
1231463	R1Q-1231463	-16	25	1	35	140	BSPP	1	99	36	177	50
1229114	R1Q-1229114	-16	25	1	35	140	BSPP	1 1/4	99	36	177	50
1229224	R1Q-1229224	-4	6	1/4	35	140	NPTF	1/4	50,5	16,2	97	20
1229225	R1Q-1229225	-6	10	3/8	35	140	NPTF	3/8	64	19,7	119	27
1229226	R1Q-1229226	-6	10	3/8	35	140	NPTF	1/2	64	19,7	119	27
1229227	R1Q-1229227	-8	13	1/2	35	140	NPTF	1/2	68	24,6	125	32
1229228	R1Q-1229228	-8	13	1/2	35	140	NPTF	3/4	68	24,6	125	32
1232383	R1Q-1232383	-10	16	5/8	35	140	NPTF	3/4	70	27	134	34
1229230	R1Q-1229230	-12	19	3/4	35	140	NPTF	3/4	85	29,9	156	42
1232461	R1Q-1232461	-12	19	3/4	35	140	NPTF	1	85	29,9	156	42
1231466	R1Q-1231466	-16	25	1	35	140	NPTF	1	99	36	177	50
1233076	R1Q-1233076	-16	25	1	35	140	NPTF	1 1/4	99	36	177	50
1233980	R1Q-1233980	-4	6	1/4	35	140	SAE/UNF	7/16 -20	50,5	16,2	97	20
1229247	R1Q-1229247	-6	10	3/8	35	140	SAE/UNF	9/16 -18	64	19,7	117	27
1229249	R1Q-1229249	-8	13	1/2	35	140	SAE/UNF	3/4 -16	68	24,6	125	32
1232385	R1Q-1232385	-10	16	5/8	35	140	SAE/UN	1 1/16-12	70	27	134	34
1229252	R1Q-1229252	-12	19	3/4	35	140	SAE/UN	1 1/16-12	85	29,9	156	42
1229254	R1Q-1229254	-16	25	1	35	140	SAE/UN	1 5/16-12	99	36	177	50
1231468	R1Q-1231468	-6	10	3/8	35	140	MET	M22x1,5	64	19,7	117	27

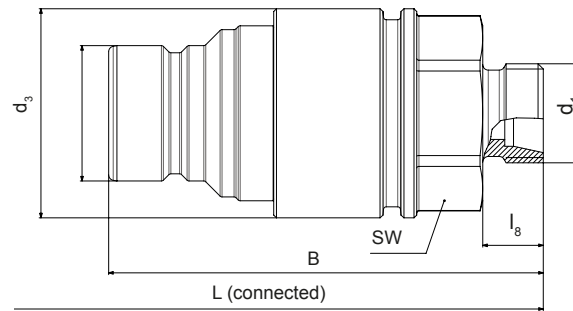
BSPP connection according to DIN 3852-2-X, NPTF connection according to ANSI B1-20.3, metric connection according to ISO 6149-1, SAE UNF/UN connection according to SAE J 1926-1.


**STANDARD ISO 16028 - Flat face FPK**
**Female coupling - metric 24° light/heavy series**

Item Code	Part Number				WP Conn./ disconn. MPa	Min BP Conn./ disconn. MPa	Fitting	RA mm	d <sub>1</sub> mm	B mm	Ø D mm	L mm	l <sub>8</sub> mm	SW mm
		DASH	DN	inch										
1234726	R1Q-341975	-4	6	1/4	35	140	D24L	8	M14x1,5	67,7	26	117,2	10	22
1229118	R1Q-341977	-6	10	3/8	35	140	D24L	10	M16x1,5	82,3	32	141,4	11	27
1223449	R1Q-341978	-6	10	3/8	35	140	D24L	12	M18x1,5	82,3	32	141,4	11	27
1234030	R1Q-341979	-6	10	3/8	35	140	D24L	15	M22x1,5	83,3	32	143,4	12	27
1223438	R1Q-341980	-8	13	1/2	35	140	D24L	12	M18x1,5	85,6	38	147,2	11	32
1223440	R1Q-341981	-8	13	1/2	35	140	D24L	15	M22x1,5	86,6	38	149,2	12	32
1229120	R1Q-341985	-12	19	3/4	35	140	D24L	18	M26x1,5	105,0	48	180	12	42
1229121	R1Q-341986	-12	19	3/4	35	140	D24L	22	M30x2,0	107	48	184	14	42
1234031	R1Q-341987	-16	25	1	35	140	D24L	22	M30x2,0	115	55	204,9	14	50
1229122	R1Q-341988	-16	25	1	35	140	D24L	28	M36x2,0	115	55	204,9	14	50
1234032	R1Q-341991	-4	6	1/4	35	140	D24S	8	M16x1,5	69,7	26	121,2	12	22
1234033	R1Q-341992	-6	10	3/8	35	140	D24S	12	M20x1,5	83,3	32	143,4	12	27
1234034	R1Q-341993	-6	10	3/8	35	140	D24S	14	M22x1,5	85,3	32	147,4	14	27
1234035	R1Q-341994	-6	10	3/8	35	140	D24S	16	M24x1,5	85,3	32	147,4	14	27
1229153	R1Q-341995	-8	13	1/2	35	140	D24S	14	M22x1,5	88,6	38	153,2	14	32
1234036	R1Q-341996	-8	13	1/2	35	140	D24S	16	M24x1,5	88,6	38	153,2	14	32
1229156	R1Q-342000	-12	19	3/4	35	140	D24S	20	M30x2,0	109	48	188	16	42
1234037	R1Q-342001	-12	19	3/4	35	140	D24S	25	M36x2,0	111	48	192	18	42
1234038	R1Q-342002	-12	19	3/4	35	140	D24S	30	M42x2,0	113	48	196	20	46
1229157	R1Q-342003	-16	25	1	35	140	D24S	25	M36x2,0	119	55	212,9	18	50
1234039	R1Q-342004	-16	25	1	35	140	D24S	30	M42x2,0	117	56	216,9	20	50

Metric connection according to DIN EN ISO 8434-1.




**STANDARD ISO 16028 - Flat face FPK**
**Male coupling - metric 24° light/heavy series**

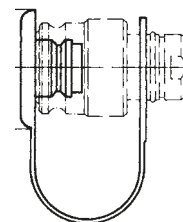
Item Code	Part Number	DASH		DN	inch	WP Conn./ disconn. MPa	Min BP Conn./ disconn. MPa	Fitting	RA	d <sub>1</sub> mm	B mm	d <sub>3</sub> mm	L mm	l <sub>8</sub> mm	d <sub>4</sub> mm	SW mm
		Symbol	DN													
1234727	R1Q-341945	-4	6	1/4	35	140	D24L	8	M14x1,5	60,5	16,2	117,2	10	26	22	
1234728	R1Q-341947	-6	10	3/8	35	140	D24L	10	M16x1,5	75,0	19,7	141,4	11	32	27	
1223471	R1Q-341948	-6	10	3/8	35	140	D24L	12	M18x1,5	75,0	19,7	141,4	11	32	27	
1234040	R1Q-341949	-6	10	3/8	35	140	D24L	15	M22x1,5	76,0	19,7	143,4	12	32	27	
1223453	R1Q-341950	-8	13	1/2	35	140	D24L	12	M18x1,5	79,0	24,6	147,2	11	38	32	
1222555	R1Q-341951	-8	13	1/2	35	140	D24L	15	M22x1,5	80,0	24,6	149,2	12	38	32	
1229128	R1Q-341955	-12	19	3/4	35	140	D24L	18	M26x1,5	97,0	29,9	180	12	48	42	
1229129	R1Q-341956	-12	19	3/4	35	140	D24L	22	M30x2,0	99	29,9	184	14	48	42	
1234041	R1Q-341957	-16	25	1	35	140	D24L	22	M30x2,0	113	36	204,9	14	55	50	
1229130	R1Q-341958	-16	25	1	35	140	D24L	28	M36x2,0	113	36	204,9	14	55	50	
1234042	R1Q-341961	-4	6	1/4	35	140	D24S	8	M16x1,5	62,5	16,2	121,2	12	26	22	
1234043	R1Q-341962	-6	10	3/8	35	140	D24S	12	M20x1,5	76,0	19,7	143,4	12	32	27	
1234044	R1Q-341963	-6	10	3/8	35	140	D24S	14	M22x1,5	78,0	19,7	147,4	14	32	27	
1234045	R1Q-341964	-6	10	3/8	35	140	D24S	16	M24x1,5	78,0	19,7	147,4	14	32	27	
1223461	R1Q-341965	-8	13	1/2	35	140	D24S	14	M22x1,5	82,0	24,6	153,2	14	38	32	
1234046	R1Q-341966	-8	13	1/2	35	140	D24S	16	M24x1,5	82,0	24,6	153,2	14	38	32	
1229166	R1Q-341970	-12	19	3/4	35	140	D24S	20	M30x2,0	101	29,9	188	16	48	42	
1234047	R1Q-341971	-12	19	3/4	35	140	D24S	25	M36x2,0	103	29,9	192	18	48	42	
1234048	R1Q-341972	-12	19	3/4	35	140	D24S	30	M42x2,0	105	29,9	196	20	52	46	
1229167	R1Q-341973	-16	25	1	35	140	D24S	25	M36x2,0	117	36	212,9	18	55	50	
1234049	R1Q-341974	-16	25	1	35	140	D24S	30	M42x2,0	119	36	216,9	20	55	50	

Metric connection according to DIN EN ISO 8434-1.

**STANDARD ISO 16028 - Flat face FPK**

**Red dust cap for female coupling**

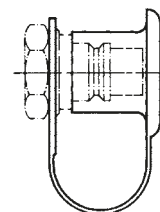
Item Code	Part Number	DASH	DN	inch
1224407	RT-1224407	-4	6	1/4
1224408	RT-1224408	-6	10	3/8
1224409	RT-1224409	-8	13	1/2
1223544	RT-1223544	-10	16	5/8
1223537	RT-1223537	-12	19	3/4
1223539	RT-1223539	-16	25	1



**STANDARD ISO 16028 - Flat face FPK**

**Red dust cap for male coupling**

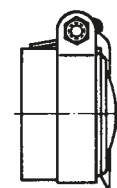
Item Code	Part Number	DASH	DN	inch
1223532	RT-1223532	-4	6	1/4
1223536	RT-1223536	-6	10	3/8
1223531	RT-1223531	-8	13	1/2
1223535	RT-1223535	-10	16	5/8
1223528	RT-1223528	-12	19	3/4
1223530	RT-1223530	-16	25	1



**STANDARD ISO 16028 - Flat face FPK**

**Red dust cap with clip for female coupling**

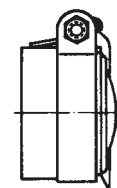
Item Code	Part Number	DASH	DN	inch
1219264	RT-1219264	-8	13	1/2



**STANDARD ISO 16028 - Flat face FPK**

**Blue dust cap with clip for female coupling**

Item Code	Part Number	DASH	DN	inch
1234642	RT-1234642	-8	13	1/2



DN 10 to 19  
WP 350 bar

- Connectable under pressure with patented system
- Low effort to connect under pressure
- Robust, compact and lightweight
- Low leak-oil rates, eco-friendly
- Low pressure drop

**Patent Pending**

**TOP COAT**



**Connectable under pressure ARGUS FPP flat face quick release couplings** are used for quick coupling and uncoupling of hydraulic lines. During the coupling action in zero or low-pressure ranges, valves that release or block the flow are automatically activated. The FPP flat face quick release coupling, formed by a coupling plug and a coupling socket, is coupled by pushing on a sleeve. This guarantees a flush connection between the two coupling halves. The sleeve is designed to be moved in the relevant direction for disconnecting or connecting the coupling halves.

Rated flow / pressure drop values on request.

#### Materials

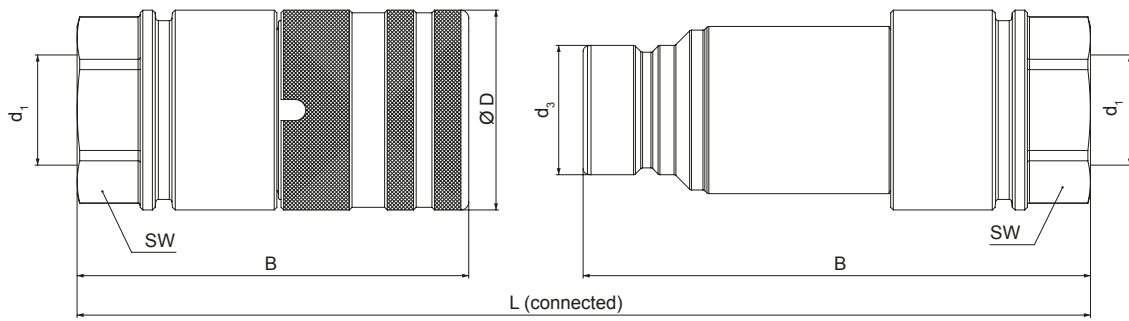
Galvanised steel with hardened parts subject to wear.  
HNBR seals (other materials on request) – backup rings PTFE – Polyethylene dust cap and dust plug.  
TOP COAT Cr-III zinc plating with additional trivalent passivation for outstanding surface protection.


**Suitable** for fluid lines with mineral oil based hydraulic fluids according DIN 51524 T1+T2. Also available for flame-resistant hydraulic fluids to VDMA 24317, for pneumatics and water hydraulics in appropriate materials on request.

**Temperature range** from -30 °C to +125 °C.

**Additionally to the connection threads shown in the following tables, further types and sizes are available on request.**


Specific instructions for installation, use and maintenance are separately provided.


**STANDARD ISO 16028 - Flat face FPP connectable under pressure**
**Female coupling - female thread**

Item Code	Part Number				WP Conn./disconn. MPa	Min BP Conn./disconn. MPa	Thread	d <sub>1</sub> inch	B mm	Ø D mm	L mm	SW mm
		DASH	DN	inch								
1234988	R1Q-1234988	-6	10	3/8	35	140	BSPP	3/8	69,3	32	134	27
1234705	R1Q-1234705	-8	13	1/2	35	140	BSPP	1/2	74,5	38	152	32
1234989	R1Q-1234989	-12	19	3/4	35	140	BSPP	3/4	93	48	189,5	42
1234993	R1Q-1234993	-6	10	3/8	35	140	NPTF	3/8	69,3	32	134	27
1234994	R1Q-1234994	-8	13	1/2	35	140	NPTF	1/2	74,5	38	152	32
1234995	R1Q-1234995	-12	19	3/4	35	140	NPTF	3/4	93	48	189,5	42

BSPP connection according to DIN 3852-2-X, NPTF connection according to ANSI B1-20.3.

**STANDARD ISO 16028 - Flat face FPP connectable under pressure**
**Male coupling - female thread**

Item Code	Part Number				WP Conn./disconn. MPa	Min BP Conn./disconn. MPa	Thread	d <sub>1</sub> inch	B mm	d <sub>3</sub> mm	L mm	SW mm
		DASH	DN	inch								
1232283	R1Q-1232283	-6	10	3/8	35	140	BSPP	3/8	82,5	19,7	134	27
1231474	R1Q-1231474	-8	13	1/2	35	140	BSPP	1/2	94,5	24,6	152	32
1232284	R1Q-1232284	-12	19	3/4	35	140	BSPP	3/4	118,5	29,9	189,5	42
1234990	R1Q-1234990	-6	10	3/8	35	140	NPTF	3/8	82,5	19,7	134	27
1234991	R1Q-1234991	-8	13	1/2	35	140	NPTF	1/2	94,5	24,6	152	32
1234992	R1Q-1234992	-12	19	3/4	35	140	NPTF	3/4	118,5	29,9	189,5	42

BSPP connection according to DIN 3852-2-X, NPTF connection according to ANSI B1-20.3.

DN 10  
WP 250 bar

- Coupling for brake system
- Low leak-oil rates, eco-friendly
- Low pressure drop
- Compatibility with other couplings in-use

**TOP COAT**

**Brake line couplings ARGUS BK** are specifically designed for the use in hydraulic brake circuits of tractors. During the coupling actions, valves that release or block the flow are automatically activated. The BK quick release coupling, formed from a coupling plug and a coupling socket, is coupled by pushing on a sleeve. This guarantees a flush connection between the two coupling halves. The sleeve is designed to be moved in the relevant direction for disconnecting or connecting the coupling halves.

**Materials**

Galvanised steel with hardened parts subject to wear – HNBR O-rings (other materials optional) – Polyethylene dust cap and dust plug.

TOP COAT Cr-III zinc plating with additional trivalent passivation for outstanding surface protection.

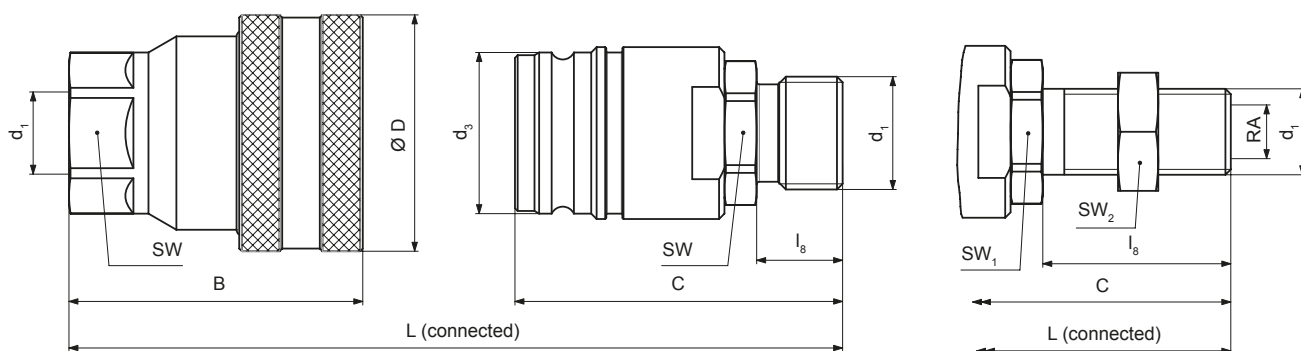
**Suitable** for liquid lines with mineral oil-based hydraulic fluids to DIN 51524 T1+T2. Also available for flame-resistant hydraulic fluids to VDMA 24317, for pneumatic and water hydraulics in appropriate materials upon request.


**Temperature range:**  
from -30 °C to +125 °C.

**Additionally to the connection threads shown in the following tables, further types and sizes are available on request.**

Specific instructions for installation, use and maintenance are separately provided.


Rated flow / pressure drop values on request


**STANDARD ISO 5676 - Brake Valve BK**
**Female coupling - female thread**

Item Code	Part Number				WP Conn./ disconn. MPa	Min BP Conn./ disconn. MPa	Thread	d <sub>1</sub> inch / mm	B mm	Ø D mm	L mm	SW mm
		DASH	DN	inch								
1219386	R1Q-1219386	-6	10	3/8	25	100	BSPP	3/8	54,7	44	B+C -15,1	27
1219432	R1Q-1219432	-6	10	3/8	25	100	BSPP	1/2	58,7	44	B+C -15,1	27
1233607	R1Q-1233607	-6	10	3/8	25	100	MET	M18x1,5	50,7	44	B+C -15,1	27


BSPP connection according to DIN 3852-2-X, metric connection according to ISO 6149-1.

**STANDARD ISO 5676 - Brake Coupling BK**
**Male coupling - male thread**

Item Code	Part Number				WP Conn./ disconn. MPa	Min BP Conn./ disconn. MPa	Thread	d <sub>1</sub> inch	C mm	d <sub>3</sub> mm	L mm	I <sub>8</sub> mm	SW mm
		DASH	DN	inch									
1219429	R1Q-1219429	-6	10	3/8	25	100	BSP	1/2	61	03	B+C -15,1	16	24

BSPP connection according to DIN 3852-2-X.

**STANDARD ISO 5676 - Brake Coupling BK**
**Male coupling - metric 24° light/heavy series bulkhead**

Item Code	Part Number				WP Conn./ disconn. MPa	Min BP Conn./ disconn. MPa	Thread	RA mm	d <sub>1</sub> mm	C mm	d <sub>3</sub> mm	L mm	I <sub>8</sub> mm	SW <sub>1</sub> mm	SW <sub>2</sub> mm
		DASH	DN	inch											
1219431	R1Q-1219431	-6	10	3/8	25	100	D24L	10	M16x1,5	80	30	B+C -15,1	35	24	22
1233608	R1Q-1233608	-6	10	3/8	25	100	D24L	12	M18x1,5	81	30	B+C -15,1	36	24	24
1219430	R1Q-1219430	-6	10	3/8	25	100	D24L	15	M22x1,5	83	30	B+C -15,1	38	24	27
1233609	R1Q-1233609	-6	10	3/8	25	100	D24S	12	M20x1,5	83	30	B+C -15,1	38	24	27

Metric connection according to DIN EN ISO 8434-11.

DN 6  
WP 470 bar

- Diagnostic coupling for pressure detection
- Low leak-oil rates, eco-friendly
- Low pressure drop
- Compatibility with other couplings in-use

## TOP COAT



**Diagnostic couplings ARGUS DK** are specifically designed for pressure detection in oleo-hydraulic circuits, allowing a quick connection/disconnection of the measuring equipment. During the coupling actions, valves that release or block the flow are automatically activated. The DK quick release coupling, formed from a coupling plug and a coupling socket, is coupled by pushing on a sleeve. This guarantees a flush connection between the two coupling halves. The sleeve is designed to be moved in the relevant direction for disconnecting or connecting the coupling halves.

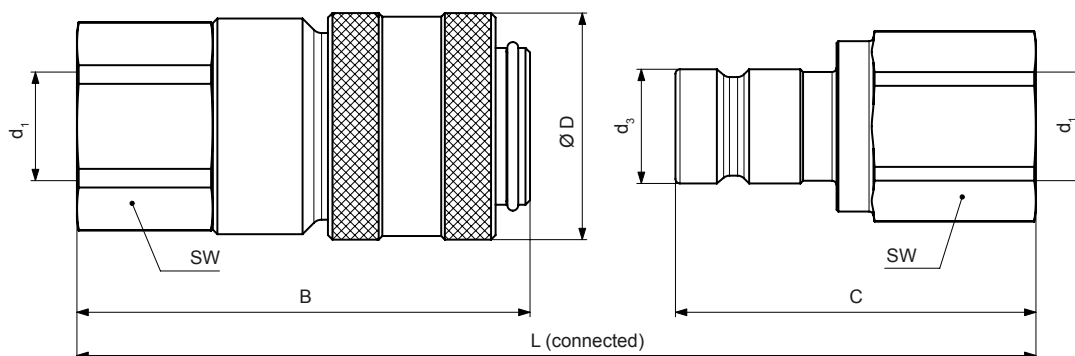
Rated flow / pressure drop values on request.


### Materials

Galvanised steel with hardened parts subject to wear  
– HNBR O-rings (other materials optional) – Polyethylene dust cap and dust plug.  
TOP COAT Cr-III zinc plating with additional trivalent passivation for outstanding surface protection.  
**Suitable** for liquid lines with mineral oil-based hydraulic fluids to DIN 51524 T1+T2. Also available for flame-resistant hydraulic fluids to VDMA 24317, for pneumatic and water hydraulics in appropriate materials upon request.

**Temperature range:**  
from -30 °C to +125 °C.


**Additionally to the connection threads shown in the following tables, further types and sizes are available on request.**  
Specific instructions for installation, use and maintenance are separately provided.


**STANDARD ISO 15171-1 – Diagnostic DK**
**Female coupling - female thread**

Item Code	Part Number				WP Conn./ disconn. MPa	Min BP Conn./ disconn. MPa	Thread	d <sub>1</sub> inch / mm	B mm	Ø D mm	L mm	SW mm
		DASH	DN	inch								
1233582	R1Q-1233582	-4	6	1/4	47	188	NPTF	1/8	50	25	B+C -14,5	21
1233583	R1Q-1233583	-4	6	1/4	47	188	NPTF	1/4	50	25	B+C -14,5	21
1233586	R1Q-1233586	-4	6	1/4	47	188	SAE/UNF	9/16 -18	50,5	25	B+C -14,5	21
1233585	R1Q-1233585	-4	6	1/4	47	188	MET	M14x1,5	52	25	B+C -14,5	21

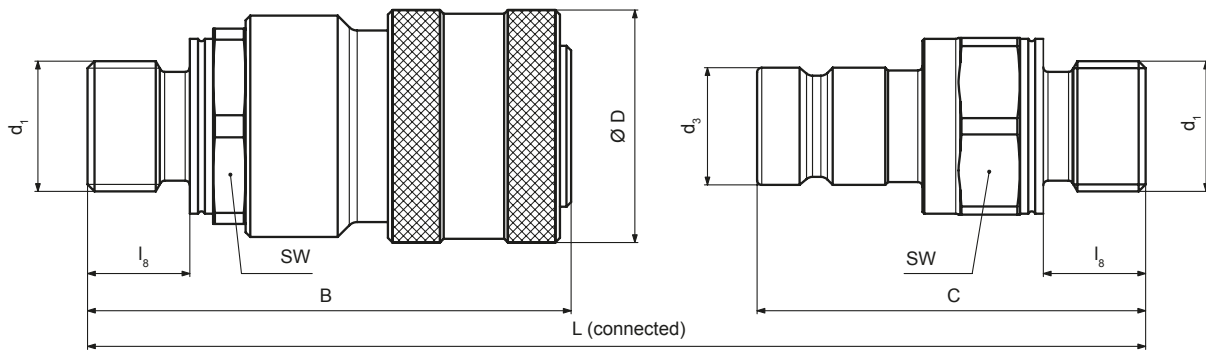
NPTF connection according to ANSI B1-20.3, metric connection according to ISO 6149-1, SAE UNF/UN connection according to SAE J 1926-1.

**STANDARD ISO 15171-1 – Diagnostic DK**
**Male coupling - female thread**

Item Code	Part Number				WP Conn./ disconn. MPa	Min BP Conn./ disconn. MPa	Thread	d <sub>1</sub> inch	B mm	d <sub>3</sub> mm	L mm	SW mm
		DASH	DN	inch								
1233587	R1Q-1233587	-4	6	1/4	47	188	NPTF	1/8	39,8	12,6	B+C -14,5	19
1233588	R1Q-1233588	-4	6	1/4	47	188	NPTF	1/4	45,3	12,6	B+C -14,5	19


NPTF connection according to ANSI B1-20.3.





**STANDARD ISO 15171-1 – Diagnostic DK**


**Female coupling - male thread**

Item Code	Part Number				WP Conn./ disconn. MPa	Min BP Conn./ disconn. MPa	Thread	d <sub>1</sub> inch	B mm	Ø D mm	L mm	l <sub>8</sub> mm	SW mm
		DASH	DN	inch									
1233584	R1Q-1233584	-4	6	1/4	47	188	NPTF	1/4	53	25	B+C -14,5	14,5	21

NPTF connection according to ANSI B1-20.3.

**STANDARD ISO 15171-1 – Diagnostic DK**

**Male coupling - male thread**

Item Code	Part Number				WP Conn./ disconn. MPa	Min BP Conn./ disconn. MPa	Thread	d <sub>1</sub> inch / mm	C mm	d <sub>3</sub> mm	L mm	l <sub>8</sub> mm	SW mm
		DASH	DN	inch									
1233589	R1Q-1233589	-4	6	1/4	47	188	NPTF	1/4	42,8	12,6	B+C -14,5	14,5	19
1233591	R1Q-1233591	-4	6	1/4	47	188	SAE/UNF	9/16 -18	40,3	12,6	B+C -14,5	12	19
1233590	R1Q-1233590	-4	6	1/4	47	188	MET	M14x1,5	41,8	12,6	B+C -14,5	11	19

NPTF connection according to ANSI B1-20.3, metric connection according to ISO 6149-1, SAE UNF/UN connection according to SAE J 1926-1.



DN 8 to 32  
to max. WP 450 bar

- For high pressure load
- Robust construction
- Excellent flow rate
- Can be coupled at up to 50 bar
- German standard

**TOP COAT**

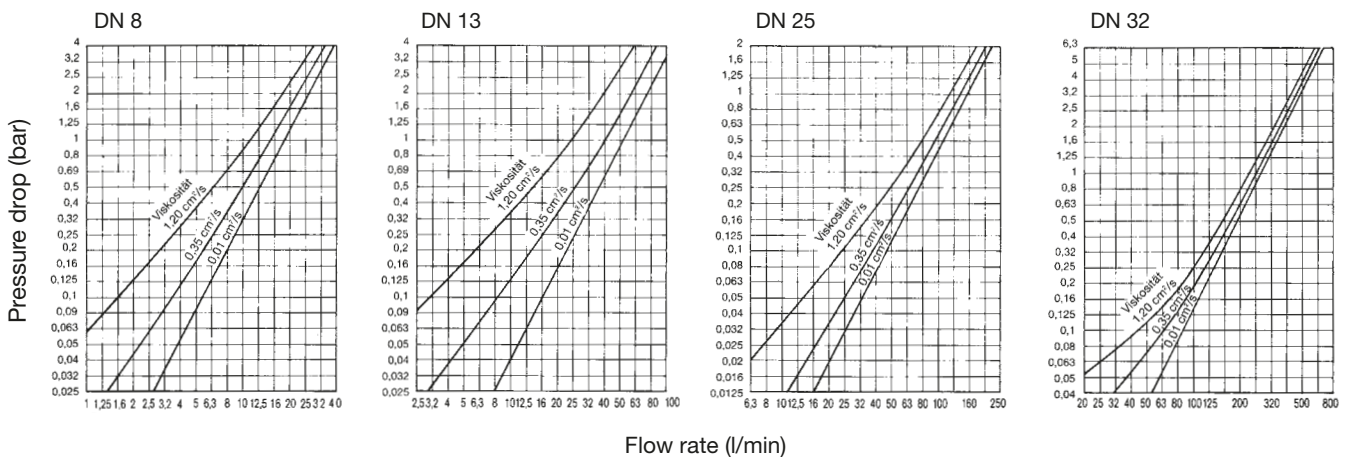


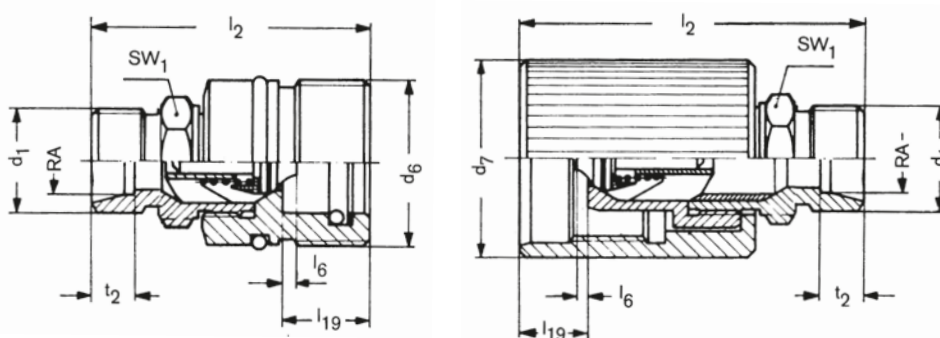
**ARGUS HDK high pressure couplings** can be used for connecting and disconnecting hydraulic lines. Their robust construction and tested components make them ideally suited for **high and intermittent pressure loads**. During the coupling action, valves that release and/or block the flow are automatically activated. The HDK quick release coupling, formed by coupling plug and coupling socket, is coupled by a screwing action with the hand nut of the plug component. **Can be coupled to a max. of 50 bar residual pressure.**

**Materials**

Galvanised steel – Brass valve stem guide – TPE poppet valve seal (PTFE optional) – HNBR O-rings (other materials optional) – Stainless steel compression spring.  
TOP COAT Cr-III zinc plating with additional trivalent passivation for outstanding surface protection.  
**Suitable** for liquid lines with mineral oil-based hydraulic fluids to DIN 51524 and DIN 51525. Also available for flame-resistant hydraulic fluids to VDMA 24317, for pneumatics and water hydraulics in appropriate materials on request.  
**Temperature range:**  
from -30 °C to +125 °C.


**Additionally to the connection threads shown in the following tables, further types and sizes are available on request.** Specific instructions for installation, use and maintenance are separately provided.





## SCREW COUPLING - Poppet HDK


### Female coupling (fixed part) - metric 24° light/heavy series

Item Code	Part Number			WP Conn./ disconn. MPa	Fitting	RA mm	d <sub>1</sub> mm	d <sub>6</sub> mm	l <sub>2</sub> mm	l <sub>6</sub> mm	l <sub>19</sub> mm	t <sub>2</sub> mm	SW <sub>1</sub> mm	
		DASH	DN											inch
1228941	R1Q-340406	-5	8	5/16	45	D24L	8	M14x1,5	Rd 28x2	53	3	14,5	7	22
1228942	R1Q-340407	-5	8	5/16	45	D24L	10	M16x1,5	Rd 28x2	53	3	14,5	7	22
1228943	R1Q-340408	-8	13	1/2	40	D24L	12	M18x1,5	Rd 36x2	56,5	3,1	17	7	24
1228944	R1Q-340409	-8	13	1/2	40	D24L	15	M22x1,5	Rd 36x2	57,2	3,1	17	7	24
1228945	R1Q-340410	-16	25	1	31,5	D24L	18	M26x1,5	Rd 48x3	80,5	7,6	26	7,5	41
1228946	R1Q-340411	-16	25	1	31,5	D24L	22	M30x2,0	Rd 48x3	82,5	7,6	26	7,5	41
1228953	R1Q-340413	-5	8	5/16	45	D24S	10	M18x1,5	Rd 28x2	54	3	14,5	7,5	22
1228954	R1Q-340414	-5	8	5/16	45	D24S	12	M20x1,5	Rd 28x2	54	3	14,5	7,5	22
1228955	R1Q-340415	-8	13	1/2	40	D24S	14	M22x1,5	Rd 36x2	59,5	3,1	17	8	24
1228956	R1Q-340416	-8	13	1/2	40	D24S	16	M24x1,5	Rd 36x2	59,5	3,1	17	8,5	24
1228957	R1Q-340417	-16	25	1	31,5	D24S	20	M30x2,0	Rd 48x3	84,5	7,6	26	10,5	41
1219533	R1Q-340418	-16	25	1	31,5	D24S	25	M36x2,0	Rd 48x3	86,5	7,6	26	12	41
1219532	R1Q-340419	-20	32	1 1/4	31,5	D24S	30	M42x2,0	Rd 70x3	113	12	36	13,5	55
1219531	R1Q-340420	-20	32	1 1/4	31,5	D24S	38	M52x2,0	Rd 70x3	115	12	36	16	55

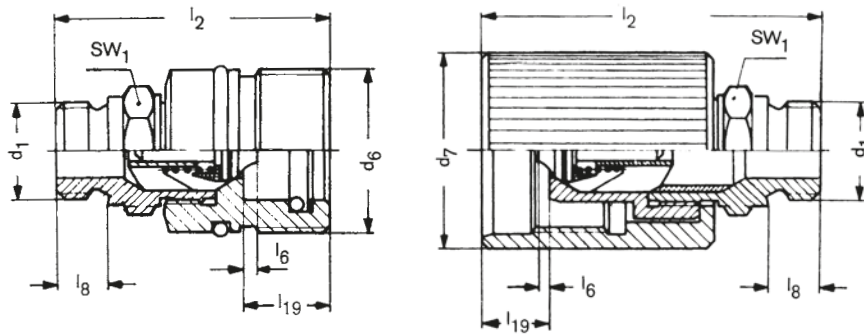
Metric connection according to DIN EN ISO 8434-1.

## SCREW COUPLING - Poppet HDK

### Male coupling (loose part) - metric 24° light/heavy series

Item Code	Part Number			WP Conn./ disconn. MPa	Fitting	RA mm	d <sub>1</sub> mm	d <sub>7</sub> mm	l <sub>2</sub> mm	l <sub>6</sub> mm	l <sub>19</sub> mm	t <sub>2</sub> mm	SW <sub>1</sub> mm	
		DASH	DN											inch
1228925	R1Q-340431	-5	8	5/16	45	D24L	8	M14x1,5	34	63	3	12,5	7	22
1228926	R1Q-340432	-5	8	5/16	45	D24L	10	M16x1,5	34	63	3	12,5	7	22
1228927	R1Q-340433	-8	13	1/2	40	D24L	12	M18x1,5	42	70,5	4	15,5	7	24
1228928	R1Q-340434	-8	13	1/2	40	D24L	15	M22x1,5	42	72,5	4	15,5	7	24
1228929	R1Q-340435	-16	25	1	31,5	D24L	18	M26x1,5	55	89	9	11	7,5	41
1228930	R1Q-340436	-16	25	1	31,5	D24L	22	M30x2,0	55	91	9	11	7,5	41
1228931	R1Q-340437	-5	8	5/16	45	D24S	10	M18x1,5	34	64	3	12,5	7,5	22
1228932	R1Q-340438	-5	8	5/16	45	D24S	12	M20x1,5	34	64	3	12,5	7,5	22
1228933	R1Q-340439	-8	13	1/2	40	D24S	14	M22x1,5	42	73,5	4	15,5	8	24
1219525	R1Q-340440	-8	13	1/2	40	D24S	16	M24x1,5	42	73,5	4	15,5	8,5	24
1228934	R1Q-340441	-16	25	1	31,5	D24S	20	M30x2,0	55	93	9	11	10,5	41
1219524	R1Q-340442	-16	25	1	31,5	D24S	25	M36x2,0	55	95	9	11	12	41
1219523	R1Q-340443	-20	32	1 1/4	31,5	D24S	30	M42x2,0	80	114	12	10	13,5	55
1219522	R1Q-340444	-20	32	1 1/4	31,5	D24S	38	M52x2,0	80	117	12	10	16	55

Metric connection according to DIN EN ISO 8434-1.



**SCREW COUPLING - Poppet HDK**

**Female coupling (fixed part) - male thread**

Item Code	Part Number				WP Conn./ disconn. MPa	Fitting	d <sub>1</sub>	d <sub>6</sub>	l <sub>2</sub>	l <sub>6</sub>	l <sub>8</sub>	l <sub>19</sub>	SW <sub>1</sub>
		DASH	DN	inch			inch	mm	mm	mm	mm	mm	mm
1228935	R1Q-340477	-5	8	5/16	45	AGF	3/8	Rd 28x2	54	3	12	14,5	22
1219534	R1Q-340478	-8	13	1/2	40	AGF	1/2	Rd 36x2	61,5	3,1	14	17	27
1228936	R1Q-340479	-16	25	1	31,5	AGF	3/4	Rd 48x3	87,5	7,6	16	26	41
1228937	R1Q-340480	-16	25	1	31,5	AGF	1	Rd 48x3	90	7,6	18	26	41

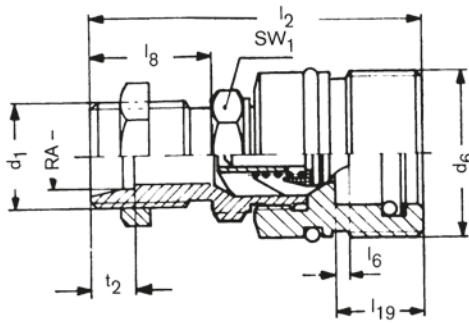
AGF connection according to DIN 3901 heavy duty range with pipe thread G (BSPP), type A to DIN 3852-2.


**SCREW COUPLING - Poppet HDK**

**Male coupling (loose part) - male thread**

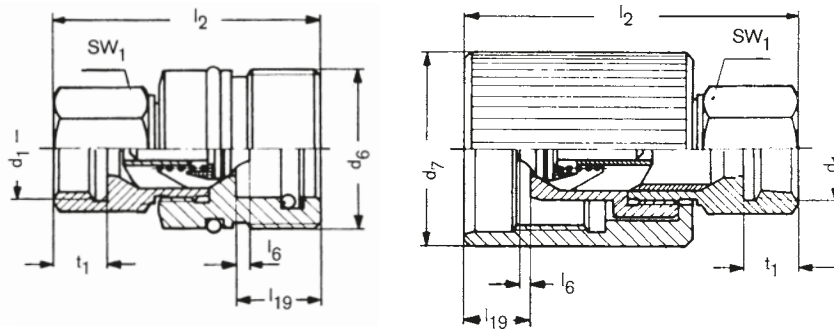
Item Code	Part Number				WP Conn./ disconn. MPa	Fitting	d <sub>1</sub>	d <sub>7</sub>	l <sub>2</sub>	l <sub>6</sub>	l <sub>8</sub>	l <sub>19</sub>	SW <sub>1</sub>
		DASH	DN	inch			inch	mm	mm	mm	mm	mm	mm
1228919	R1Q-340445	-5	8	5/16	45	AGF	3/8	34	64	3	12	12,5	22
1219526	R1Q-340446	-8	13	1/2	40	AGF	1/2	42	75,5	4	14	15,5	27
1228920	R1Q-340447	-16	25	1	31,5	AGF	3/4	55	91	9	16	11	41
1228921	R1Q-340448	-16	25	1	31,5	AGF	1	55	91	9	18	11	41

AGF connection according to DIN 3901 heavy duty range with pipe thread G (BSPP), type A to DIN 3852-2.


**SCREW COUPLING - Poppet HDK**
**Female coupling (fixed part) - metric 24° light/heavy series bulkhead**


Item Code	Part Number			WP Conn./ disconn. MPa	Fitting	RA mm	d <sub>1</sub> mm	d <sub>6</sub> mm	l <sub>2</sub> mm	l <sub>6</sub> mm	l <sub>8</sub> mm	l <sub>19</sub> mm	t <sub>2</sub> mm	SW <sub>1</sub> mm	
		DASH	DN												inch
1228947	R1Q-340456	-5	8	5/16	45	D24L	8	M14x1,5	Rd 28x2	67	3	25	14,5	7	22
1228948	R1Q-340457	-5	8	5/16	45	D24L	10	M16x1,5	Rd 28x2	67	3	26	14,5	7	22
1228949	R1Q-340458	-8	13	1/2	40	D24L	12	M18x1,5	Rd 36x2	70,5	4	25	17	7	24
1228950	R1Q-340459	-8	13	1/2	40	D24L	15	M22x1,5	Rd 36x2	72,5	4	27	17	7	24
1228951	R1Q-340460	-16	25	1	31,5	D24L	18	M26x1,5	Rd 48x3	102,5	9	34	26	7,5	41
1228952	R1Q-340461	-16	25	1	31,5	D24L	22	M30x2,0	Rd 48x3	104,5	9	36	26	7,5	41
1228958	R1Q-340462	-5	8	5/16	45	D24S	10	M18x1,5	Rd 28x2	69	3	27	14,5	7,5	22
1228959	R1Q-340463	-5	8	5/16	45	D24S	12	M20x1,5	Rd 28x2	69	3	27	14,5	7,5	22
1228960	R1Q-340464	-8	13	1/2	40	D24S	14	M22x1,5	Rd 36x2	73	4	27	17	8	24
1228961	R1Q-340465	-8	13	1/2	40	D24S	16	M24x1,5	Rd 36x2	73	4	27	17	8,5	27
1219539	R1Q-340466	-16	25	1	31,5	D24S	20	M30x2,0	Rd 48x3	104,5	9	36	26	10,5	41
1228962	R1Q-340467	-16	25	1	31,5	D24S	25	M36x2,0	Rd 48x3	106,5	9	38	26	12	41
1228963	R1Q-340468	-20	32	1 1/4	31,5	D24S	30	M42x2,0	Rd 70x3	131	12	40	36	13,5	55
1228964	R1Q-340469	-20	32	1 1/4	31,5	D24S	38	M52x2,0	Rd 70x3	134	12	40	36	16	55

Metric connection according to DIN EN ISO 8434-1.



## SCREW COUPLING - Poppet HDK


### Female coupling (fixed part) - female thread

Item Code	Part Number				WP Conn./ disconn. MPa	Thread	d <sub>1</sub> inch	d <sub>6</sub> mm	l <sub>2</sub> mm	l <sub>6</sub> mm	l <sub>19</sub> mm	t <sub>1</sub> mm	SW <sub>1</sub> mm
		DASH	DN	inch									
1219538	R1Q-340449	-5	8	5/16	45	BSPP	3/8	Rd 28x2	55	3	14,5	14	22
1219537	R1Q-340450	-8	13	1/2	40	BSPP	1/2	Rd 36x2	60,5	4	17	16	27
1219536	R1Q-340451	-16	25	1	31,5	BSPP	3/4	Rd 48x3	89,5	9	26	18	41
1219535	R1Q-340452	-16	25	1	31,5	BSPP	1	Rd 48x3	92,5	9	26	20	41
1230056	R1Q-340421	-20	32	1 1/4	31,5	BSPP	1 1/4	Rd 70x3	115	12	36	-	55
1228938	R1Q-340453	-8	13	1/2	40	NPTF	1/2 -14	Rd 36x2	61,5	4	17	16,5	27
1228939	R1Q-340454	-16	25	1	31,5	NPTF	3/4 -14	Rd 48x3	84,5	9	26	17	41
1228940	R1Q-340455	-16	25	1	31,5	NPTF	1 -11,5	Rd 48x3	88,5	9	26	20,5	41
1232387	R1Q-340422	-20	32	1 1/4	31,5	NPTF	1 1/4	Rd 70x3	115	12	36	-	55
1231479	R1Q-340412	-16	25	1	31,5	SAE UN	1 1/16 -12	Rd 48x3	89,5	9	26	18	41

BSPP connection according to DIN 3852-2-X, NPTF connection according to ANSI B1-20.3, metric connection according to DIN 3852, SAE UNF/UN connection according to SAE J 1926-1.

## SCREW COUPLING - Poppet HDK


### Male coupling (loose part) - female thread

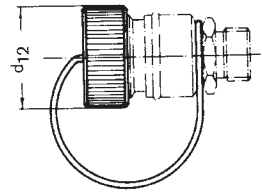
Item Code	Part Number				WP Conn./ disconn. MPa	Thread	d <sub>1</sub> inch	d <sub>7</sub> mm	l <sub>2</sub> mm	l <sub>6</sub> mm	l <sub>19</sub> mm	t <sub>1</sub> mm	SW <sub>1</sub> mm
		DASH	DN	inch									
1219530	R1Q-340470	-5	8	5/16	45	BSPP	3/8	34	65	3	12,5	14	22
1219529	R1Q-340471	-8	13	1/2	40	BSPP	1/2	42	74,5	4	15,5	16	27
1219528	R1Q-340472	-16	25	1	31,5	BSPP	3/4	55	98	9	11	18	41
1219527	R1Q-340473	-16	25	1	31,5	BSPP	1	55	101	9	11	20	41
1230063	R1Q-340423	-20	32	1 1/4	31,5	BSPP	1 1/4	80	117	12	10	-	55
1228922	R1Q-340474	-8	13	1/2	40	NPTF	1/2 -14	42	75,5	4	15,5	16,5	27
1228923	R1Q-340475	-16	25	1	31,5	NPTF	3/4 -14	55	93	9	11	17	41
1228924	R1Q-340476	-16	25	1	31,5	NPTF	1 -11,5	55	97	9	11	20,5	41
1232388	R1Q-340424	-20	32	1 1/4	31,5	NPTF	1 1/4	80	117	12	10	-	55
1231480	R1Q-340486	-16	25	1	31,5	SAE UN	1 1/16 -12	55	98	9	11	18	41

BSPP connection according to DIN 3852-2-X, NPTF connection according to ANSI B1-20.3, metric connection according to DIN 3852, SAE UNF/UN connection according to SAE J 1926-1.

**SCREW COUPLING - Poppet HDK**


**Black dust cap for female coupling (fixed part)**

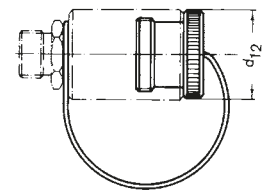
Item Code	Part Number	DASH			d <sub>12</sub>	
			DN	inch	mm	mm
1228904	RT-P600002	-5	8	5/16	34	
1228899	RT-P600003	-8	13	1/2	42	
1228901	RT-P600004	-16	25	1	55	
1228902	RT-P600005	-20	32	1 1/4	80	



**SCREW COUPLING - Poppet HDK**

**Black dust plug for male coupling (loose part)**

Item Code	Part Number	DASH			d <sub>12</sub>	
			DN	inch	mm	mm
1228897	RT-P600007	-5	8	5/16	34	
1228892	RT-P600008	-8	13	1/2	42	
1228894	RT-P600009	-16	25	1	55	
1228895	RT-P600010	-20	32	1 1/4	80	

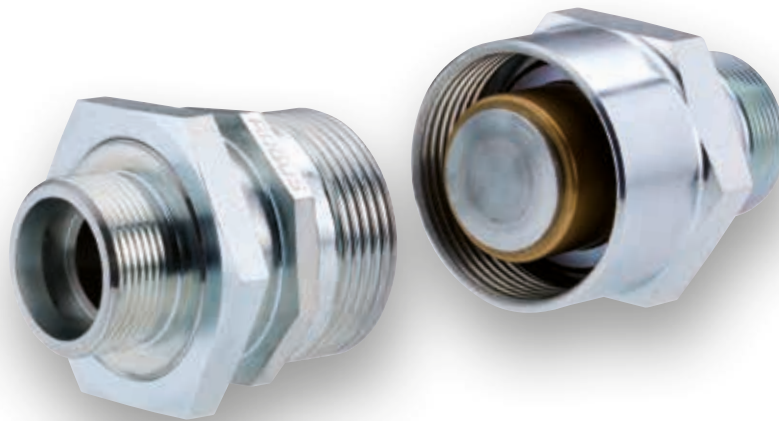




DN 10 to 25  
to max. WP 315 bar

- Low leak-oil rates, eco-friendly
- Robust construction
- Low pressure drop
- Can be coupled by hand at up to 20 bar

**TOP COAT**



**ARGUS RK pipe couplings** enable oil leak-free connection and disconnection of hydraulic lines. The coupling consists of one fixed and one loose half. The two halves are coupled by a screwing action with hand nuts and/or hand wheel. During this process, valves in the two halves open against spring force. During decoupling, these valves close before the coupling halves separate. This prevents air intake into the lines, eliminating the need of secondary venting. Coupling can be carried out by hand **while pressurised** at up to approx. 20 bar, or by means of tools under higher pressures. In the uncoupled status, the coupling halves are protected from contamination and damage with the components indicated as accessories.

**Materials**

Galvanised steel **housing and internal components** – Brass vent sleeve in the loose half – all seals HNBR (FPM seals optional). TOP COAT Cr-III zinc plating with additional trivalent passivation for outstanding surface protection.

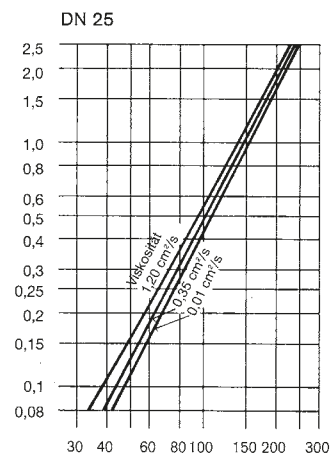
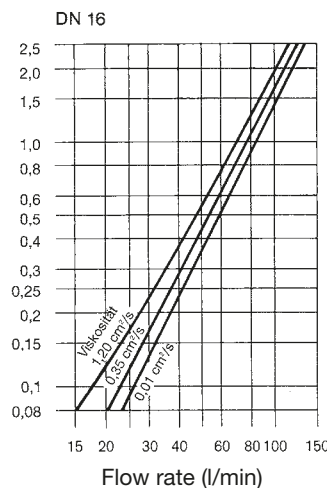
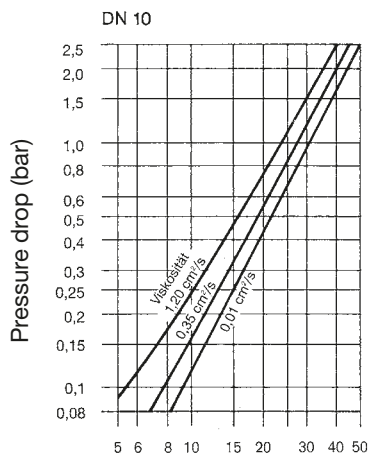
**Suitable** for liquid lines with mineral oil-based hydraulic fluids to DIN 51524 and DIN 51525. Also available for flame-resistant hydraulic fluids to VDMA 24317, for pneumatics and water hydraulics in appropriate materials on request.

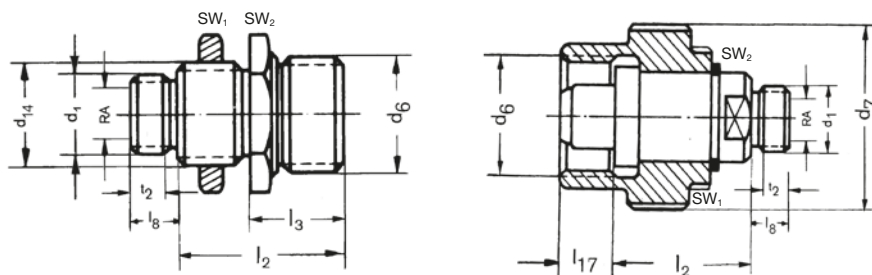
**Temperature range:**

from -30 °C to +125 °C (and/or with FPM seals up to +200 °C).

**Additionally to the connection threads shown in the following tables, further types and sizes are available on request.**

Specific instructions for installation, use and maintenance are separately provided.





## SCREW COUPLING - Flat face RK

### Female coupling (fixed part with hexagon nut) - metric 24° light/heavy series

Item Code	Part Number	↻		WP Conn.	Fitting	RA	d <sub>1</sub>	d <sub>6</sub>	d <sub>14</sub>	l <sub>2</sub>	l <sub>3</sub>	l <sub>8</sub>	t <sub>2</sub>	SW <sub>1</sub>	SW <sub>2</sub>	
		DASH	DN													inch
1228973	R1Q-340838	-6	10	3/8	31,5	D24L	8	M14x1,5	Rd 32x3	M30x1,0	44	24	10	7	36	36
1228975	R1Q-340839	-6	10	3/8	31,5	D24L	10	M16x1,5	Rd 32x3	M30x1,0	44	24	11	7	36	36
1228977	R1Q-340840	-6	10	3/8	31,5	D24L	12	M18x1,5	Rd 32x3	M30x1,0	44	24	11	7	36	36
1228979	R1Q-340841	-10	16	5/8	31,5	D24L	15	M22x1,5	Rd 48x3	M45x1,5	63	35	12	7	55	55
1228981	R1Q-340842	-10	16	5/8	31,5	D24L	18	M26x1,5	Rd 48x3	M45x1,5	63	35	12	7,5	55	55
1228983	R1Q-340843	-16	25	1	16	D24L	22	M30x2,0	Rd 60x3	M56x1,5	60	34	14	7,5	70	64
1228985	R1Q-340844	-16	25	1	16	D24L	28	M36x2,0	Rd 60x3	M56x1,5	60	34	14	7,5	70	64
1228987	R1Q-340859	-6	10	3/8	31,5	D24S	10	M18x1,5	Rd 32x3	M30x1,0	44	24	12	7,5	36	36
1228989	R1Q-340860	-6	10	3/8	31,5	D24S	12	M20x1,5	Rd 32x3	M30x1,0	44	24	12	7,5	36	36
1228990	R1Q-340861	-6	10	3/8	31,5	D24S	14	M22x1,5	Rd 32x3	M30x1,0	44	24	14	8	36	36
1222558	R1Q-340862	-10	16	5/8	31,5	D24S	16	M24x1,5	Rd 48x3	M45x1,5	63	35	14	8,5	55	55
1228993	R1Q-340863	-10	16	5/8	31,5	D24S	20	M30x2,0	Rd 48x3	M45x1,5	63	35	16	10,5	55	55
1228995	R1Q-340864	-16	25	1	16	D24S	25	M36x2,0	Rd 60x3	M56x1,5	60	34	18	12	70	64
1228997	R1Q-340865	-16	25	1	16	D24S	30	M42x2,0	Rd 60x3	M56x1,5	60	34	20	13,5	70	64

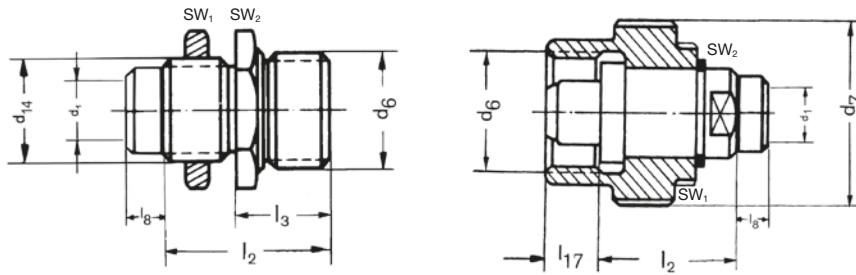
Metric connection according to DIN 8434-1.

## SCREW COUPLING - Flat face RK

### Male coupling (loose part) - metric 24° light/heavy series


Item Code	Part Number	↻		WP Conn.	Fitting	RA	d <sub>1</sub>	d <sub>6</sub>	d <sub>7</sub>	l <sub>2</sub>	l <sub>17</sub>	l <sub>8</sub>	t <sub>2</sub>	SW <sub>1</sub>	SW <sub>2</sub>	
		DASH	DN													inch
1229629	R1Q-340845	-6	10	3/8	31,5	D24L	8	M14x1,5	Rd 32x3	40	37	14	10	7	32	32
1229630	R1Q-340846	-6	10	3/8	31,5	D24L	10	M16x1,5	Rd 32x3	40	37	14	11	7	32	32
1229631	R1Q-340847	-6	10	3/8	31,5	D24L	12	M18x1,5	Rd 32x3	40	37	14	11	7	32	32
1229632	R1Q-340848	-10	16	5/8	31,5	D24L	15	M22x1,5	Rd 48x3	60	43	24	12	7	50	32
1229633	R1Q-340849	-10	16	5/8	31,5	D24L	18	M26x1,5	Rd 48x3	60	43	24	12	7,5	50	32
1229634	R1Q-340850	-16	25	1	16	D24L	22	M30x2,0	Rd 60x3	154	41	28	14	7,5	D160	41
1229635	R1Q-340851	-16	25	1	16	D24L	28	M36x2,0	Rd 60x3	154	41	28	14	7,5	D160	41
1229636	R1Q-340866	-6	10	3/8	31,5	D24S	10	M18x1,5	Rd 32x3	40	37	14	12	7,5	32	32
1229637	R1Q-340867	-6	10	3/8	31,5	D24S	12	M20x1,5	Rd 32x3	40	37	14	12	7,5	32	32
1229638	R1Q-340868	-6	10	3/8	31,5	D24S	14	M22x1,5	Rd 32x3	40	37	14	14	8	32	32
1222559	R1Q-340869	-10	16	5/8	31,5	D24S	16	M24x1,5	Rd 48x3	60	43	24	14	8,5	50	32
1229640	R1Q-340870	-10	16	5/8	31,5	D24S	20	M30x2,0	Rd 48x3	60	43	24	16	10,5	50	32
1229641	R1Q-340871	-16	25	1	16	D24S	25	M36x2,0	Rd 60x3	154	41	28	18	12	D160	41
1229642	R1Q-340872	-16	25	1	16	D24S	30	M42x2,0	Rd 60x3	154	41	28	20	13,5	D160	41

Metric connection according to DIN 8434-1.



**SCREW COUPLING - Flat face RK**


**Female coupling (fixed part with hexagon nut) - female thread**

Item Code	Part Number				WP Conn.	Thread	d <sub>1</sub>	d <sub>6</sub>	d <sub>14</sub>	l <sub>2</sub>	l <sub>3</sub>	l <sub>8</sub>	SW <sub>1</sub>	SW <sub>2</sub>
		DASH	DN	inch										
1232376	R1Q-1232376	-6	10	3/8	31,5	BSPP	1/2	Rd 32x3	M30x1,0	44	24	14	36	36
1232377	R1Q-1232377	-10	16	5/8	31,5	BSPP	3/4	Rd 48x3	M45x1,5	63	35	16	55	55
1232378	R1Q-1232378	-16	25	1	16	BSPP	1	Rd 60x3	M56x1,5	60	34	20	70	64

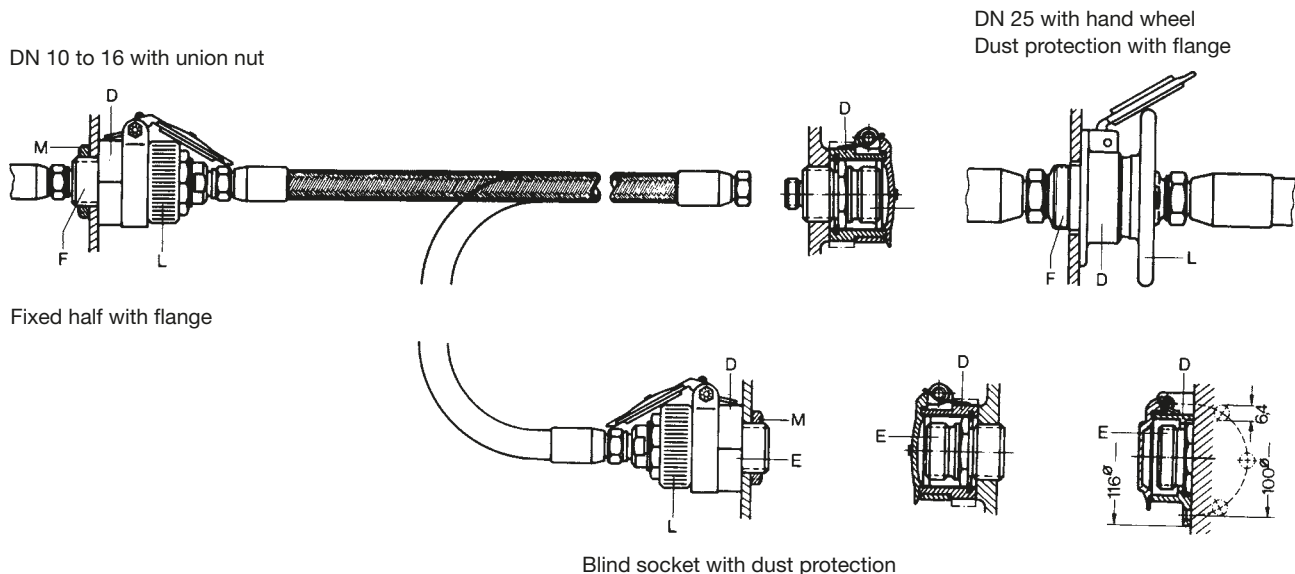
BSPP connection according to DIN 3852-2-X.

**SCREW COUPLING - Flat face RK**

**Male coupling (loose part) - female thread**

Item Code	Part Number				WP Conn.	Thread	d <sub>1</sub>	d <sub>6</sub>	d <sub>7</sub>	l <sub>2</sub>	l <sub>8</sub>	l <sub>17</sub>	SW <sub>1</sub>	SW <sub>2</sub>
		DASH	DN	inch										
1232379	R1Q-1232379	-6	10	3/8	31,5	BSPP	1/2	Rd 32x3	40	37	14	14	32	32
1232380	R1Q-1232380	-10	16	5/8	31,5	BSPP	3/4	Rd 48x3	60	43	16	24	50	32
1232381	R1Q-1232381	-16	25	1	16	BSPP	1	Rd 60x3	154	41	20	28	D160	41

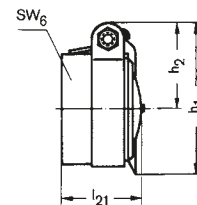
BSPP connection according to DIN 3852-2-X.



**SCREW COUPLING - Flat face RK**

**Dust protection D**

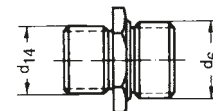
Item Code	Part Number	DASH			h <sub>1</sub> mm	h <sub>2</sub> mm	l <sub>21</sub> mm	SW <sub>6</sub> mm
			DN	inch				
1228890	RT-NE00004	-6	10	3/8	68	38	35	46
1228888	RT-NE00005	-10	16	5/8	95,5	52	50	70
1228889	RT-GO00040	-16	25	1	107	58	47	With flange



**SCREW COUPLING - Flat face RK**

**Blind socket E**

Item Code	Part Number	DASH			d <sub>6</sub>	d <sub>14</sub>
			DN	inch		
1228867	RA-SI00089	-6	10	3/8	Rd 32x3	M30x1,0
1228848	RA-SI00090	-10	16	5/8	Rd 48x3	M45x1,5
1228857	RA-BU00010	-16	25	1	Rd 60x3	Not threaded



DN 10 to 25  
to max. WP 450 bar

- Very low leak-oil rates, eco-friendly
- Highly robust construction
- Low pressure drop
- Locking system for safety purposes

**Patent Pending**

**TOP COAT**



**ARGUS RKN quick release couplings** enable oil leak-free connection and disconnection of hydraulic lines. Their robust construction and tested components make them ideally suited for **high and intermittent pressure loads**. During the coupling action, valves that release and/or block the flow are automatically activated. The RKN quick release coupling, formed by coupling plug and coupling socket, is coupled by a screwing action with the hand nut of the plug component.

**Materials**

Galvanised steel – Brass valve stem guide – HNBR O-rings (other materials optional). TOP COAT Cr-III zinc plating with additional trivalent passivation for outstanding surface protection.

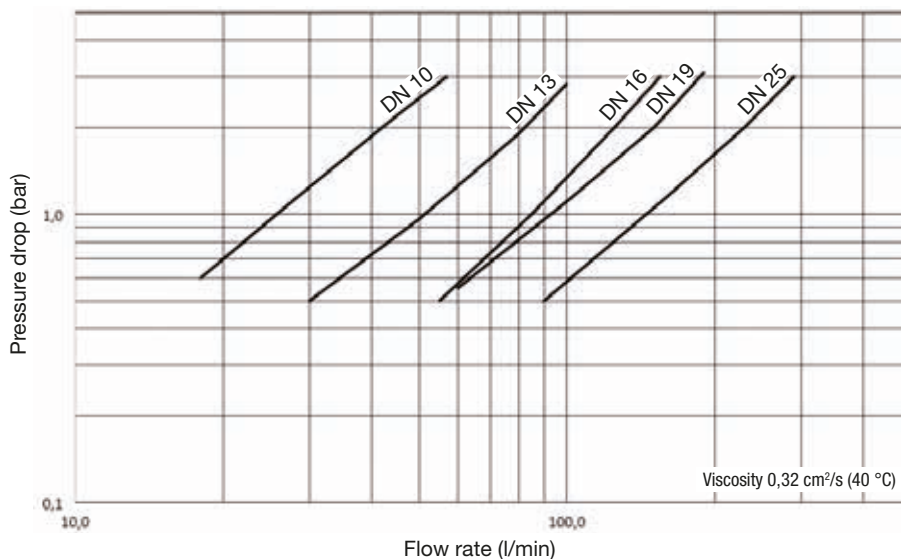
**Suitable** for liquid lines with mineral oil-based hydraulic fluids to DIN 51524 and DIN 51525. Also available for flame-resistant hydraulic fluids to VDMA 24317, for pneumatics and water hydraulics in appropriate materials on request.

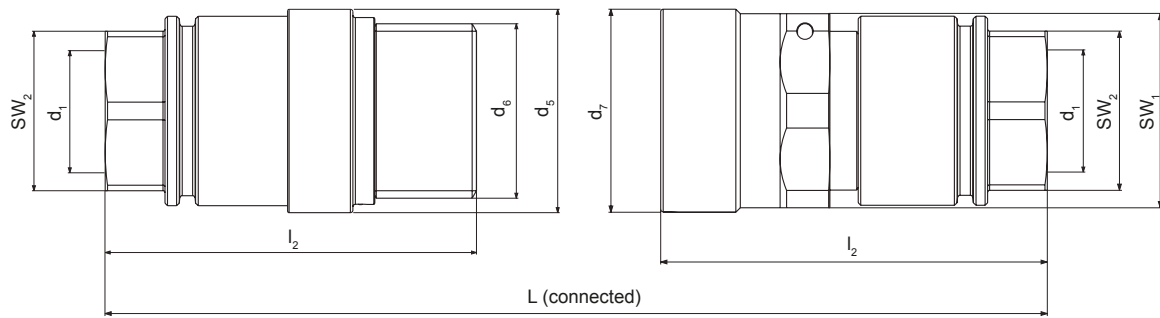
**Temperature range:**

from -30 °C to +125 °C.

**Additionally to the connection threads shown in the following tables, further types and sizes are available on request.**


Specific instructions for installation, use and maintenance are separately provided.





## SCREW COUPLING - Flat face RKN


### Female coupling - female thread

Item Code	Part Number				WP Conn. MPa	WP Disconn. MPa	Thread	d <sub>1</sub> inch	d <sub>5</sub> mm	d <sub>6</sub> mm	L mm	L <sub>2</sub> mm	SW <sub>2</sub> mm
		DASH	DN	inch									
1232527	R1Q-1232527	-6	10	3/8	45	35	BSPP	3/8	34,8	M28x2	117,4	69,3	27
1232463	R1Q-1232463	-8	13	1/2	45	35	BSPP	1/2	40,8	M35x3	127,4	74,5	32
1232518	R1Q-1232518	-10	16	5/8	45	35	BSPP	3/4	43,8	M38x3	133,5	81,3	34
1232464	R1Q-1232464	-12	19	3/4	45	35	BSPP	3/4	51	M43x3	156	93	42
1232528	R1Q-1232528	-16	25	1	40	35	BSPP	1	59,8	M52x4	176,9	101	50
1232529	R1Q-1232529	-16	25	1	40	35	BSPP	1 1/4	59,8	M52x4	176,9	101	50
1232530	R1Q-1232530	-6	10	3/8	45	35	NPTF	3/8	34,8	M28x2	117,4	69,3	27
1232465	R1Q-1232465	-8	13	1/2	45	35	NPTF	1/2	40,8	M35x3	127,4	74,5	32
1232539	R1Q-1232539	-10	16	5/8	45	35	NPTF	3/4	43,8	M38x3	133,5	81,3	34
1232466	R1Q-1232466	-12	19	3/4	45	35	NPTF	3/4	51	M43x3	156	93	42
1232531	R1Q-1232531	-16	25	1	40	35	NPTF	1	59,8	M52x4	176,9	101	50
1232532	R1Q-1232532	-16	25	1	40	35	NPTF	1 1/4	59,8	M52x4	176,9	101	50

BSPP connection according to DIN 3852-2-X, NPTF connection according to ANSI B1-20.3.

## SCREW COUPLING - Flat face RKN

### Male coupling - female thread

Item Code	Part Number				WP Conn. MPa	WP Disconn. MPa	Thread	d <sub>1</sub> inch	d <sub>7</sub> mm	L mm	L <sub>2</sub> mm	SW <sub>1</sub> mm	SW <sub>2</sub> mm
		DASH	DN	inch									
1232533	R1Q-1232533	-6	10	3/8	45	35	BSPP	3/8	33,8	117,4	70,6	27	33
1232467	R1Q-1232467	-8	13	1/2	45	35	BSPP	1/2	40,8	127,4	77,7	32	39
1232523	R1Q-1232523	-10	16	5/8	45	35	BSPP	3/4	43,8	133,5	78,5	42	34
1232468	R1Q-1232468	-12	19	3/4	45	35	BSPP	3/4	51,2	156	94,3	42	50
1232534	R1Q-1232534	-16	25	1	40	35	BSPP	1	59,8	176,9	108,7	50	60
1232535	R1Q-1232535	-16	25	1	40	35	BSPP	1 1/4	59,8	176,9	108,7	50	60
1232536	R1Q-1232536	-6	10	3/8	45	35	NPTF	3/8	33,8	117,4	70,6	27	33
1232469	R1Q-1232469	-8	13	1/2	45	35	NPTF	1/2	40,8	127,4	77,7	32	39
1232540	R1Q-1232540	-10	16	5/8	45	35	NPTF	3/4	43,8	133,5	78,5	42	34
1232470	R1Q-1232470	-12	19	3/4	45	35	NPTF	3/4	51,2	156	94,3	42	50
1232537	R1Q-1232537	-16	25	1	40	35	NPTF	1	59,8	176,9	108,7	50	60
1232538	R1Q-1232538	-16	25	1	40	35	NPTF	1 1/4	59,8	176,9	108,7	50	60

BSPP connection according to DIN 3852-2-X, NPTF connection according to ANSI B1-20.3.

DN 10 to 25  
to max. WP 450 bar

- Connectable under pressure with patented system
- Very low leak-oil rates, eco-friendly
- Highly robust construction
- Low pressure drop
- Locking system for safety purposes

**Patent Pending****TOP COAT**

**Connectable under pressure ARGUS RPN quick release couplings** enable oil leak-free connection and disconnection of hydraulic lines. Their robust construction and tested components make them ideally suited for **high and intermittent pressure loads**. During the coupling action, valves that release and/or block the flow are automatically activated. The RPN quick release coupling, formed by coupling plug and coupling socket, is coupled by a screwing action with the hand nut of the plug component.

**Materials**

Galvanised steel – Brass valve stem guide – HNBR O-rings (other materials optional). TOP COAT Cr-III zinc plating with additional trivalent passivation for outstanding surface protection.

**Suitable** for liquid lines with mineral oil-based hydraulic fluids to DIN 51524 and DIN 51525. Also available for flame-resistant hydraulic fluids to VDMA 24317, for pneumatics and water hydraulics in appropriate materials on request.

**Temperature range:**

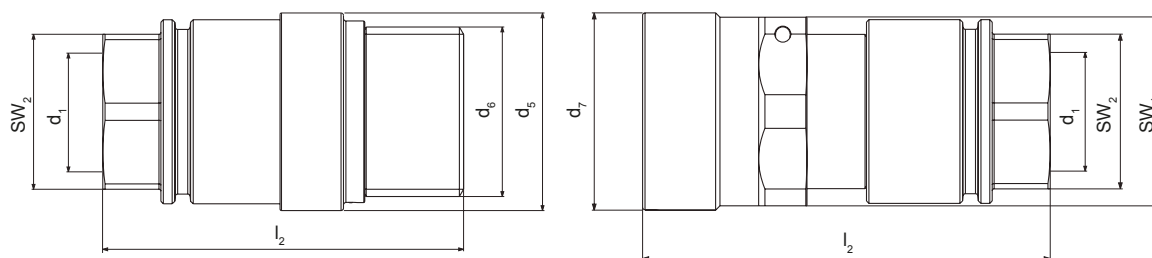
from -30 °C to +125 °C.

**Additionally to the connection threads shown in the following tables, further types and sizes are available on request.**

Specific instructions for installation, use and maintenance are separately provided.


Rated flow / pressure drop values on request.





## SCREW COUPLING - Flat face RPN connectable under pressure


### Female coupling - female thread

Item Code	Part Number				WP Conn. MPa	WP Disconn. MPa	Thread	d <sub>1</sub> inch	d <sub>5</sub> mm	d <sub>6</sub> mm	l <sub>2</sub> mm	SW <sub>2</sub> mm
		DASH	DN	inch								
1234996	R1Q-1234996	-6	10	3/8	45	35	BSPP	3/8	34,8	M28x2	69,3	27
1234997	R1Q-1234997	-8	13	1/2	45	35	BSPP	1/2	40,8	M35x3	74,5	32
1234998	R1Q-1234998	-10	16	5/8	45	35	BSPP	3/4	43,8	M38x3	81,3	34
1234999	R1Q-1234999	-12	19	3/4	45	35	BSPP	3/4	51	M43x3	93	42
1235000	R1Q-1235000	-16	25	1	40	35	BSPP	1	59,8	M52x4	101	50
1235001	R1Q-1235001	-16	25	1	40	35	BSPP	1 1/4	59,8	M52x4	101	50
1235002	R1Q-1235002	-6	10	3/8	45	35	NPTF	3/8	34,8	M28x2	69,3	27
1235003	R1Q-1235003	-8	13	1/2	45	35	NPTF	1/2	40,8	M35x3	74,5	32
1235004	R1Q-1235004	-10	16	5/8	45	35	NPTF	3/4	43,8	M38x3	81,3	34
1235005	R1Q-1235005	-12	19	3/4	45	35	NPTF	3/4	51	M43x3	93	42
1235006	R1Q-1235006	-16	25	1	40	35	NPTF	1	59,8	M52x4	101	50
1235007	R1Q-1235007	-16	25	1	40	35	NPTF	1 1/4	59,8	M52x4	101	50

BSPP connection according to DIN 3852-2-X, NPTF connection according to ANSI B1-20.3.

## SCREW COUPLING - Flat face RPN connectable under pressure

### Male coupling - female thread

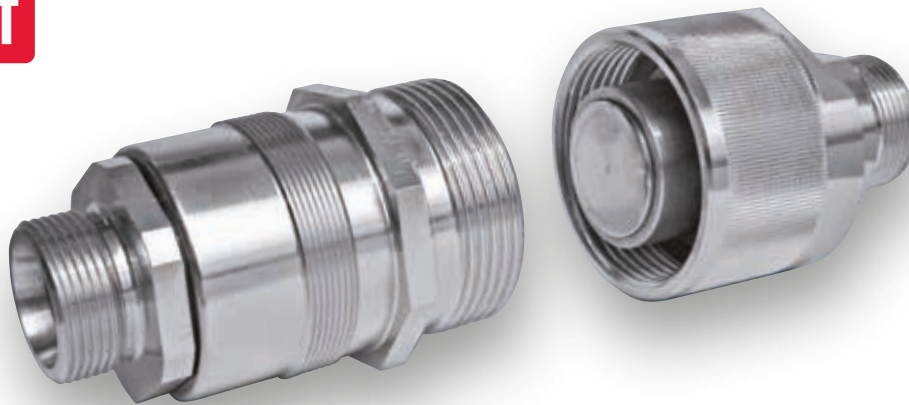
Item Code	Part Number				WP Conn. MPa	WP Disconn. MPa	Thread	d <sub>1</sub> inch	d <sub>7</sub> mm	l <sub>2</sub> mm	SW <sub>1</sub> mm	SW <sub>2</sub> mm
		DASH	DN	inch								
1235008	R1Q-1235008	-6	10	3/8	45	35	BSPP	3/8	33,8	-	27	33
1235009	R1Q-1235009	-8	13	1/2	45	35	BSPP	1/2	40,8	-	32	39
1235010	R1Q-1235010	-10	16	5/8	45	35	BSPP	3/4	43,8	-	42	34
1235011	R1Q-1235011	-12	19	3/4	45	35	BSPP	3/4	51,2	-	42	50
1235012	R1Q-1235012	-16	25	1	40	35	BSPP	1	59,8	-	50	60
1235013	R1Q-1235013	-16	25	1	40	35	BSPP	1 1/4	59,8	-	50	60
1235014	R1Q-1235014	-6	10	3/8	45	35	NPTF	3/8	33,8	-	27	33
1235015	R1Q-1235015	-8	13	1/2	45	35	NPTF	1/2	40,8	-	32	39
1235016	R1Q-1235016	-10	16	5/8	45	35	NPTF	3/4	43,8	-	42	34
1235017	R1Q-1235017	-12	19	3/4	45	35	NPTF	3/4	51,2	-	42	50
1235018	R1Q-1235018	-16	25	1	40	35	NPTF	1	59,8	-	50	60
1235019	R1Q-1235019	-16	25	1	40	35	NPTF	1 1/4	59,8	-	50	60

BSPP connection according to DIN 3852-2-X, NPTF connection according to ANSI B1-20.3.



DN 25 to 32  
to max. WP 450 bar

- Flat sealing
- Low leak-oil rates, eco-friendly
- High flowrate, low pressure drop
- Can be coupled by hand at up to 20 bar
- Connection under higher residual pressure available

**TOP COAT**

**ARGUS RPK high pressure couplings** can be used for connecting and disconnecting hydraulic lines. The valve flush design reduces fluid leakage during connection and disconnection at minimum. Their robust construction and tested components make them ideally suited for high and intermittent pressure loads. During the coupling action, valves that release and/or block the flow are automatically activated. Type DN 25 compatible with RK-coupling.

**Materials**

High tensile steel – Brass valve stem guide – TPE poppet valve seal (PTFE optional) – HNBR O-rings (other materials optional) – Stainless steel compression spring.

TOP COAT Cr-III zinc plating with additional trivalent passivation for outstanding surface protection.

**Suitable** for liquid lines with mineral oil-based hydraulic fluids to DIN 51524 and DIN 51525. Also available for flame-resistant hydraulic fluids to VDMA 24317, pneumatic and water hydraulics in appropriate materials on request.

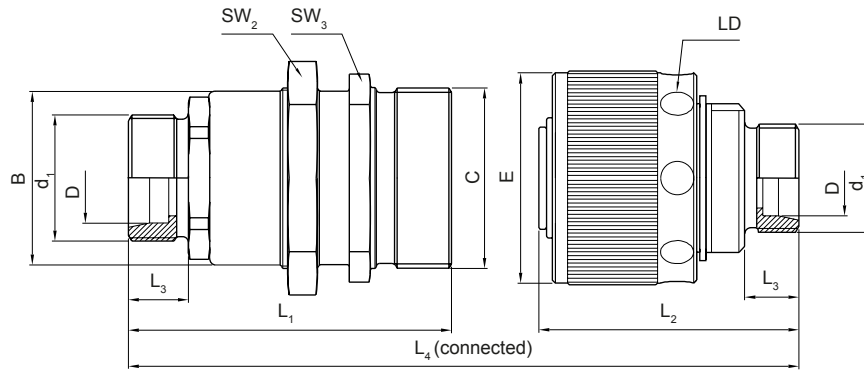
**Temperature range:**


from -30 °C to +125 °C.

**Additionally to the connection threads shown in the following tables, further types and sizes are available on request.**

Specific instructions for installation, use and maintenance are separately provided.

Rated flow / pressure drop values on request.



**SCREW TYPE - Flat face RPK**
**Female coupling (fixed part) - metric 24° heavy series panel mounting**

Item Code	Part Number				WP Conn. MPa	Min BP Conn./ disconn. MPa	Fitting	d <sub>1</sub> mm	B mm	C mm	D mm	L <sub>1</sub> mm	L <sub>4</sub> mm	SW <sub>2</sub> mm	SW <sub>3</sub> mm
		DASH	DN	inch											
1233539	R1Q-1233539	-8	13	1/2	45	-	D24S	M30x2,0	M36x1,5	Rd 36x3	20	70,5	115,5	41	41
1229003	R1Q-1229003	-16	25	1	45	170/140	D24S	M30x2,0	M60x1,5	Rd 60x3	20	102	158	70	64
1229004	R1Q-1229004	-16	25	1	45	170/140	D24S	M36x2,0	M60x1,5	Rd 60x3	25	106	166	70	64
1229005	R1Q-1229005	-16	25	1	45	170/140	D24S	M42x2,0	M60x1,5	Rd 60x3	30	108	170	70	64
1229006	R1Q-1229006	-16	25	1	45	170/140	D24S	M52x2,0	M60x1,5	Rd 60x3	38	110	187	70	64
1229007	R1Q-1229007	-20	32	1 1/4	45	170/140	D24S	M52x2,0	M88x2,0	Rd 92x4	38	117	295	110	95

Metric connection according to DIN EN ISO 8434-1.

\* Pressure loss 1 bar

**SCREW TYPE - Flat face RPK**
**Male coupling (loose part) - metric 24° heavy series**

Item Code	Part Number				WP Conn. MPa	Min BP Conn./ disconn. MPa	Fitting	d <sub>1</sub> mm	D mm	LD mm	E mm	L <sub>2</sub> mm	L <sub>4</sub> mm
		DASH	DN	inch									
1233540	R1Q-1233540	-8	13	1/2	45	-	D24S	M30x2,0	20	7	45	64,5	115,5
1228998	R1Q-1228998	-16	25	1	45	170/90	D24S	M30x2,0	20	11	70	83	158
1228999	R1Q-1228999	-16	25	1	45	170/90	D24S	M36x2,0	25	11	70	87	166
1229000	R1Q-1229000	-16	25	1	45	170/90	D24S	M42x2,0	30	11	70	89	170
1229001	R1Q-1229001	-16	25	1	45	170/90	D24S	M52x2,0	38	11	70	104	187
1229002	R1Q-1229002	-20	32	1 1/4	45	170/90	D24S	M52x2,0	38	11	112	174	295

Metric connection according to DIN EN ISO 8434-1.

\* Pressure loss 1 bar

DN 10 to 16  
to max. WP 315 bar

- Break-away function
- Extremely low leak-oil rates, very eco-friendly
- Low pressure drop
- Can be coupled by hand at up to 20 bar

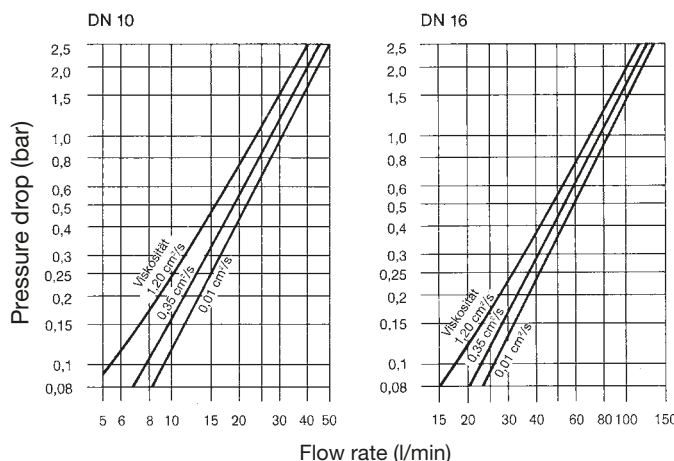
**TOP COAT**

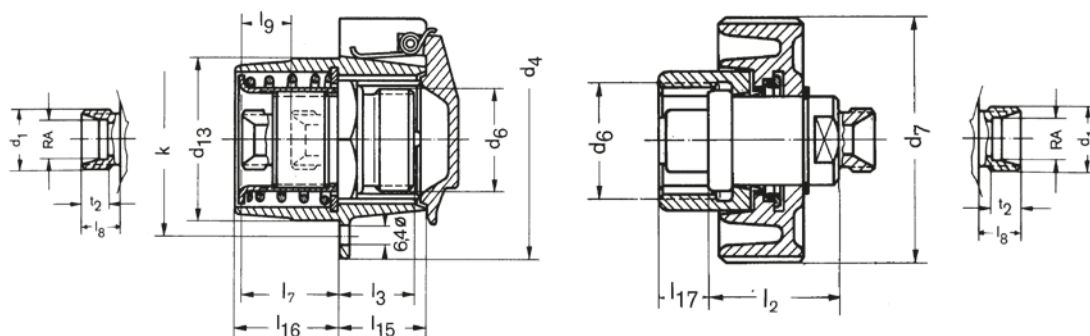


**ARGUS AK break-away couplings** enable a leak-oil free connection or disconnection of hydraulic lines. The coupling consists of one fixed and one loose half. The two halves are coupled by a screwing action with hand nut and/or hand wheel. During this process, valves in the two halves open against spring force. During decoupling, these valves close before the coupling halves separate. This prevents air intake into the lines, eliminating the need of secondary venting. Coupling can be carried out by hand **while pressurised** at up to approx. 20 bar, or by means of tools under higher pressures. The coupling halves can also be pulled apart. This possibility prevents the pipeline system bursting under tensile load and thereby the medium escaping.

During the pull-off stroke, the fixed half must be connected to a hose assembly or a spring-mounted pipe. In the uncoupled status, the coupling halves are protected from contamination and damage with the components indicated under Accessories.


**Materials**  
Galvanised steel housing and internal parts – Brass vent bush in the loose half – Steel DN 6 to 10 pull-off housing, from DN 12 (13) malleable iron – all seals NBR (FPM optional). TOP COAT Cr-III zinc plating with additional trivalent passivation for outstanding surface protection.  
**Suitable** for liquid lines with mineral oil-based hydraulic fluids to DIN 51524 and DIN 51525. Also available for flame-resistant hydraulic fluids to VDMA 24317, for pneumatic and water hydraulics in appropriate materials on request.  
**Temperature range:** from -30 °C to +100 °C  
**Other sizes and connection types available on request.** Specific instructions for installation, use and maintenance are separately provided.





**SCREW COUPLING - Flat face AK**

**Female coupling (fixed part) - metric 24° light/heavy series**

Item Code	Part Number			inch	WP Conn. MPa	Fitting	RA mm	d <sub>1</sub> mm	d <sub>6</sub> mm	d <sub>4</sub> mm	d <sub>13</sub> mm	k mm	l <sub>3</sub> mm	l <sub>7</sub> mm	l <sub>8</sub> mm	l <sub>9</sub> mm	l <sub>15</sub> mm	l <sub>16</sub> mm	t <sub>2</sub> mm
		DASH	DN																
1228868	R1Q-340887	-6	10	3/8	31,5	D24L	8	M14x1,5	Rd 32x3	75	50	60	23	21	10	19	27	33	7
1228869	R1Q-340888	-6	10	3/8	31,5	D24L	10	M16x1,5	Rd 32x3	75	50	60	23	21	11	19	27	33	7
1228870	R1Q-340889	-6	10	3/8	31,5	D24L	12	M18x1,5	Rd 32x3	75	50	60	23	21	11	19	27	33	7
1228871	R1Q-340890	-10	16	5/8	31,5	D24L	15	M22x1,5	Rd 48x3	112	75	95	31	24	12	26	42	45	7
1228872	R1Q-340891	-10	16	5/8	31,5	D24L	18	M26x1,5	Rd 48x3	112	75	95	31	24	12	26	42	45	7,5
1228873	R1Q-340901	-6	10	3/8	31,5	D24S	10	M18x1,5	Rd 60x3	75	50	60	23	21	12	19	27	33	7,5
1228874	R1Q-340902	-6	10	3/8	31,5	D24S	12	M20x1,5	Rd 60x3	75	50	60	23	21	12	19	27	33	7,5
1228875	R1Q-340903	-6	10	3/8	31,5	D24S	14	M22x1,5	Rd 32x3	75	50	60	23	21		19	27	33	
1228876	R1Q-340904	-10	16	5/8	31,5	D24S	16	M24x1,5	Rd 32x3	112	75	95	31	24	14	26	42	45	8,5
1228877	R1Q-340905	-10	16	5/8	31,5	D24S	20	M30x 2,0	Rd 32x3	112	75	95	31	24	16	26	42	45	10,5

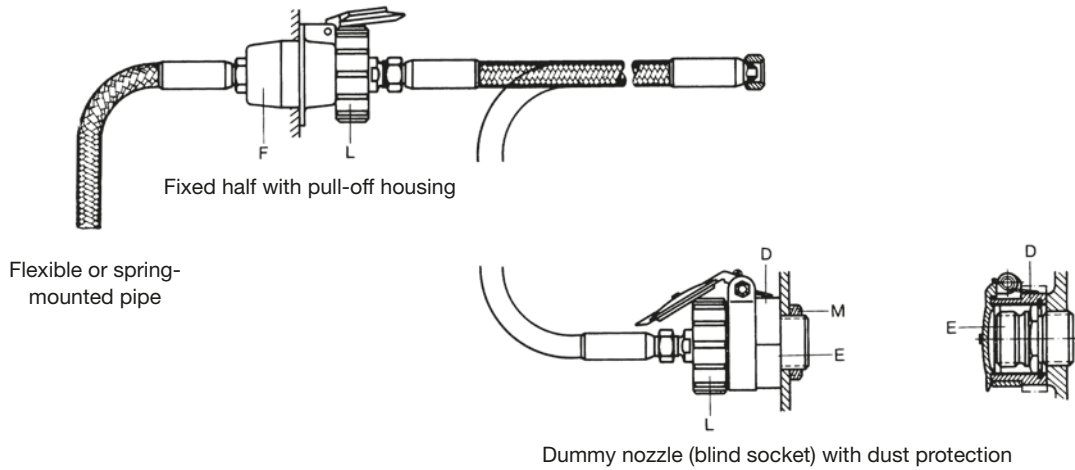
Metric connection according to DIN 8434-1.

**SCREW COUPLING - Flat face AK**

**Male coupling (loose part) - metric 24° light/heavy series**

Item Code	Part Number			inch	WP Conn. MPa	Fitting	RA mm	d <sub>1</sub> mm	d <sub>6</sub> mm	d <sub>7</sub> mm	l <sub>2</sub> mm	l <sub>8</sub> mm	l <sub>17</sub> mm	t <sub>2</sub> mm
		DASH	DN											
1228878	R1Q-340894	-6	10	3/8	31,5	D24L	8	M14x1,5	Rd 32x3	70	37±2	10	14	7
1228879	R1Q-340895	-6	10	3/8	31,5	D24L	10	M16x1,5	Rd 32x3	70	37±2	11	14	7
1228880	R1Q-340896	-6	10	3/8	31,5	D24L	12	M18x1,5	Rd 32x3	70	37±2	11	14	7
1228881	R1Q-340897	-10	16	5/8	31,5	D24L	15	M22x1,5	Rd 48x3	75	43	12	24	7
1228882	R1Q-340898	-10	16	5/8	31,5	D24L	18	M26x1,5	Rd 48x3	75	43	12	24	7,5
1228883	R1Q-340908	-6	10	3/8	31,5	D24S	10	M18x1,5	Rd 60x3	70	37±2	12	14	7,5
1228884	R1Q-340909	-6	10	3/8	31,5	D24S	12	M20x1,5	Rd 60x3	70	37±2	12	14	7,5
1228885	ON REQUEST	-6	10	3/8	31,5	D24S	14	M22x1,5	Rd 32x3	70	37±2		14	
1228886	R1Q-340911	-10	16	5/8	31,5	D24S	16	M24x1,5	Rd 32x3	75	43	14	24	8,5
1228887	R1Q-340912	-10	16	5/8	31,5	D24S	20	M30x2,0	Rd 32x3	75	43	16	24	10,5

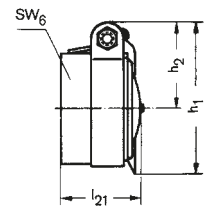
Metric connection according to DIN 8434-1.



**SCREW COUPLING - Flat face AK**

**Dust protection D**

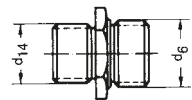
Item Code	Part Number	DASH			$h_1$	$h_2$	$l_{21}$	$SW_6$
			DN	inch	mm	mm	mm	mm
1228890	RT-NE00004	-6	10	3/8	68	38	35	46
1228888	RT-NE00005	-10	16	5/8	95,5	52	50	70



**SCREW COUPLING - Flat face AK**

**Blind socket E**

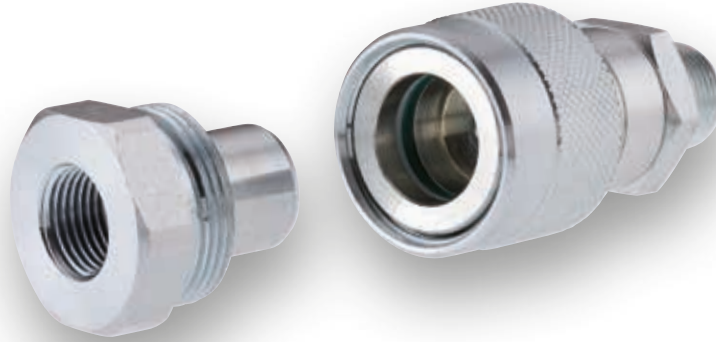
Item Code	Part Number	DASH			$d_o$	$d_{14}$
			DN	inch		mm
1228867	RA-SI00089	-6	10	3/8	Rd 32x6	M30x1,0
1228848	RA-SI00090	-10	16	5/8	Rd 48x3	M45x1,5





DN 6 to 10  
WP 700 bar

- Typically employed in power tools
- Compatibility with other couplings in-use

**TOP COAT**

**ARGUS PTK high pressure couplings** can be used for connecting and disconnecting hydraulic lines. Their robust construction and tested components make them ideally suited for high and intermittent pressure loads. During the coupling action, valves that release and/or block the flow are automatically activated. The PTK quick release coupling, formed by coupling plug and coupling socket, is coupled by a screwing action with the hand nut of the plug component.

**Materials**

Galvanised steel – PUR interface seal – HNBR O-rings (other materials optional).

TOP COAT Cr-III zinc plating with additional trivalent passivation for outstanding surface protection.

**Suitable** for liquid lines with mineral oil-based hydraulic fluids to DIN 51524 T1+T2.

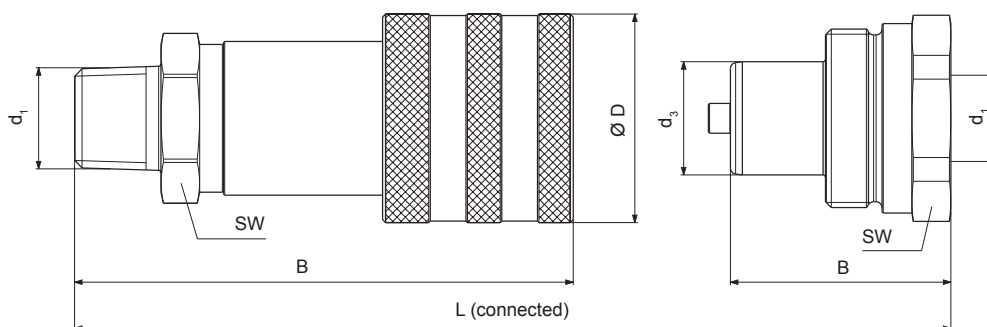
**Temperature range:**

from -30 °C to +125 °C.

**Additionally to the connection threads shown in the following tables, further types and sizes are available on request.**

Specific instructions for installation, use and maintenance are separately provided.

Rated flow / pressure drop values on request.



## SCREW COUPLING - Poppet PTK

### Female coupling - male thread

Item Code	Part Number				WP Conn./ disconn. MPa	Thread	d <sub>1</sub> inch	B mm	D mm	L mm	SW mm
		DASH	DN	inch							
1233547	R1Q-1233547	-4	6	1/4	70	NPTF	1/4	59,6	28,5	74	22
1233548	R1Q-1233548	-6	10	3/8	70	NPTF	3/8	72,5	35	83	25

NPTF connection according to ANSI B1-20.3.

## SCREW COUPLING - Poppet PTK

### Male coupling - female thread

Item Code	Part Number				WP Conn./ disconn. MPa	Thread	d <sub>1</sub> inch	B mm	d <sub>3</sub> mm	L mm	SW mm
		DASH	DN	inch							
1233545	R1Q-1233545	-4	6	1/4	70	NPTF	1/4	32,5	15,8	74	19
1233546	R1Q-1233546	-6	10	3/8	70	NPTF	3/8	35	19	83	32

NPTF connection according to ANSI B1-20.3.



DN 25  
WP 240 bar

- Compatibility with other couplings in-use
- Optional pressure elimination system

**TOP COAT**

**ARGUS SHK** are used for quick coupling and uncoupling of hydraulic lines. During the coupling action in zero or low-pressure ranges, valves that release or block the flow are automatically activated.

The SHK quick release coupling, formed by the coupling plug and the coupling socket, is coupled by pushing on a sleeve.

This guarantees a flush connection between the two coupling halves. The sleeve is designed so that it has only to be moved in the relevant direction for disconnecting or connecting of coupling halves.

Rated flow / pressure drop values on request.

**Materials**

Galvanised steel with hardened parts subject to wear – HNBR O-rings (other materials optional).

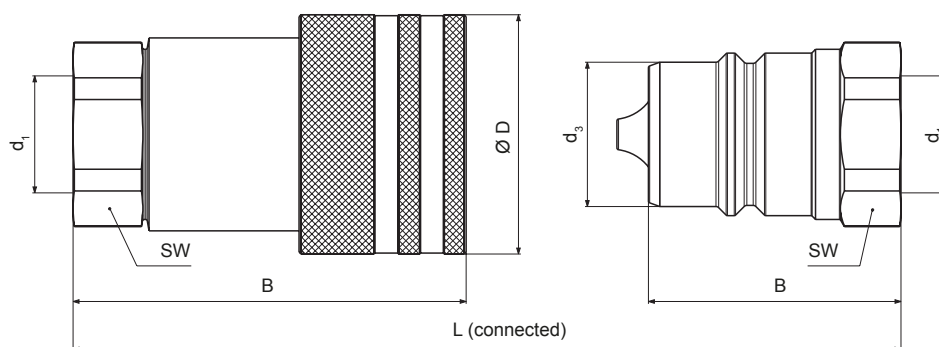
TOP COAT Cr-III zinc plating with additional trivalent passivation for outstanding surface protection.

**Suitable** for liquid lines with mineral oil-based hydraulic fluids to DIN 51524 T1+T2.

**Temperature range:**


from -20 °C to +125 °C.

Specific instructions for installation, use and maintenance are separately provided.



## HIFLOW TRUCK TYPE – Poppet SHK


### Female coupling - female thread

Item Code	Part Number				WP Conn./ disconn. MPa	Thread	d <sub>1</sub> inch	B mm	D mm	L mm	SW mm
		DASH	DN	inch							
1233551	R1Q-1233551	-16	25	1	24	BSPP	1	108	64,5	132,6	46

BSPP connection according to DIN 3852-2-X.

## HIFLOW TRUCK TYPE – Poppet SHK


### Male coupling - female thread

Item Code	Part Number				WP Conn./ disconn. MPa	Thread	d <sub>1</sub> inch	B mm	d <sub>3</sub> mm	L mm	SW mm
		DASH	DN	inch							
1233552	R1Q-1233552	-16	25	1	24	BSPP	1	66	38,3	132,6	46

BSPP connection according to DIN 3852-2-X.

## HIFLOW TRUCK TYPE PRESSURE ELIMINATION SYSTEM – Poppet SHK


### Female coupling - female thread

Item Code	Part Number				WP Conn./ disconn. MPa	Thread	d <sub>1</sub> inch	B mm	D mm	L mm	SW mm
		DASH	DN	inch							
1233723	R1Q-1233723	-16	25	1	24	BSPP	1	108	64,5	132,6	46

BSPP connection according to DIN 3852-2-X.

## HIFLOW TRUCK TYPE PRESSURE ELIMINATION SYSTEM – Poppet SHK

### Male coupling - female thread

Item Code	Part Number				WP Conn./ disconn. MPa	Thread	d <sub>1</sub> inch	B mm	d <sub>3</sub> mm	L mm	SW mm
		DASH	DN	inch							
1233724	R1Q-1233724	-16	25	1	24	BSPP	1	66	38,3	132,6	46

BSPP connection according to DIN 3852-2-X.

DN 6 to 25  
to max. WP 450 bar

- Locking system for safety purposes
- Optional pressure elimination system
- Compatibility with other couplings in-use
- Nordic range

## TOP COAT



**ARGUS SLK** are used for quick coupling and uncoupling of hydraulic lines. During the coupling action in zero or low-pressure ranges, valves that release or block the flow are automatically activated.

The SLK quick release coupling, formed by the coupling plug and the coupling socket, is coupled by pushing on a sleeve.

This guarantees a flush connection between the two coupling halves. The sleeve is designed so that it has only to be moved in the relevant direction for disconnecting or connecting of coupling halves.

Rated flow / pressure drop values on request.

### Materials

Galvanised steel with hardened parts subject to wear – NBR O-rings (other materials optional).

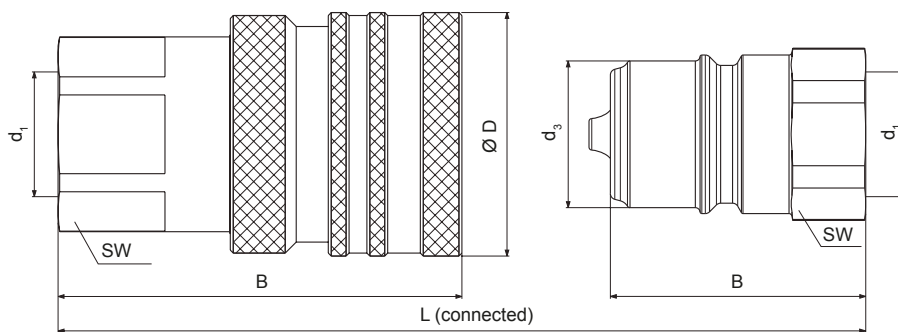
TOP COAT Cr-III zinc plating with additional trivalent passivation for outstanding surface protection.

**Suitable** for liquid lines with mineral oil-based hydraulic fluids to DIN 51524 T1+T2.

**Temperature range:**  
from -30 °C to +125 °C.


**Additionally to the connection threads shown in the following tables, further types and sizes are available on request.**

Specific instructions for installation, use and maintenance are separately provided.



## LOCKABLE TYPE – Poppet SLK


### Female coupling - female thread

Item Code	Part Number				WP Conn./ disconn. MPa	Min BP Conn./ disconn. MPa	Thread	d <sub>1</sub> inch	B mm	D mm	L mm	SW mm
		DASH	DN	inch								
1232506	R1Q-1232506	-4	6	1/4	45	180	BSPP	1/4	60	26	82	21
1232507	R1Q-1232507	-6	10	3/8	35	140	BSPP	3/8	61,5	34	76,5	25
1232508	R1Q-1232508	-8	13	1/2	30	120	BSPP	1/2	67,5	40	85,5	30
1232509	R1Q-1232509	-12	19	3/4	28	112	BSPP	3/4	76	50	94,5	38
1232510	R1Q-1232510	-16	25	1	25	100	BSPP	1	92	60	113,5	48

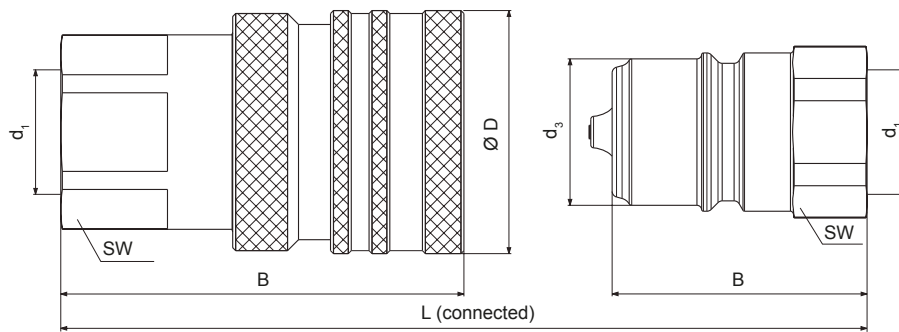
BSPP connection according to DIN 3852-2-X.

## LOCKABLE TYPE – Poppet SLK

### Male coupling - female thread


Item Code	Part Number				WP Conn./ disconn. MPa	Min BP Conn./ disconn. MPa	Thread	d <sub>1</sub> inch	B mm	d <sub>3</sub> mm	L mm	SW mm
		DASH	DN	inch								
1232511	R1Q-1232511	-4	6	1/4	45	180	BSPP	1/4	48,5	11,9	82	19
1232512	R1Q-1232512	-6	10	3/8	35	140	BSPP	3/8	38	19,9	76,5	22
1232513	R1Q-1232513	-8	13	1/2	30	120	BSPP	1/2	42,5	24,7	85,5	27
1232514	R1Q-1232514	-12	19	3/4	28	112	BSPP	3/4	47	32,7	94,5	36
1232515	R1Q-1232515	-16	25	1	25	100	BSPP	1	56,5	40,9	113,5	45

BSPP connection according to DIN 3852-2-X.



## LOCKABLE TYPE PRESSURE ELIMINATION SYSTEM – Poppet SLK


### Female coupling - female thread

Item Code	Part Number				WP Conn./ disconn. MPa	Min BP Conn./ disconn. MPa	Thread	d <sub>1</sub> inch	B mm	D mm	L mm	SW mm
		DASH	DN	inch								
1233056	R1Q-1233056	-6	10	3/8	35	140	BSPP	3/8	61,5	34	76,5	25
1233057	R1Q-1233057	-8	13	1/2	30	120	BSPP	1/2	67,5	40	85,5	30
1233058	R1Q-1233058	-12	19	3/4	28	112	BSPP	3/4	76	50	94,5	38
1233059	R1Q-1233059	-16	25	1	25	100	BSPP	1	92	60	113,5	48

BSPP connection according to DIN 3852-2-X.

## LOCKABLE TYPE PRESSURE ELIMINATION SYSTEM – Poppet SLK

### Male coupling - female thread

Item Code	Part Number				WP Conn./ disconn. MPa	Min BP Conn./ disconn. MPa	Thread	d <sub>1</sub> inch	B mm	d <sub>3</sub> mm	L mm	SW mm
		DASH	DN	inch								
1233061	R1Q-1233061	-6	10	3/8	35	140	BSPP	3/8	38	19,9	76,5	22
1233062	R1Q-1233062	-8	13	1/2	30	120	BSPP	1/2	42,5	24,7	85,5	27
1233063	R1Q-1233063	-12	19	3/4	28	112	BSPP	3/4	47	32,7	94,5	36
1233064	R1Q-1233064	-16	25	1	25	100	BSPP	1	56,5	40,9	113,5	45

BSPP connection according to DIN 3852-2-X.



DN 10 to 19  
WP 250 bar

- Tailor-made according to customer's needs
- Compact, reliable and safe

**Patent Pending**

**TOP COAT**

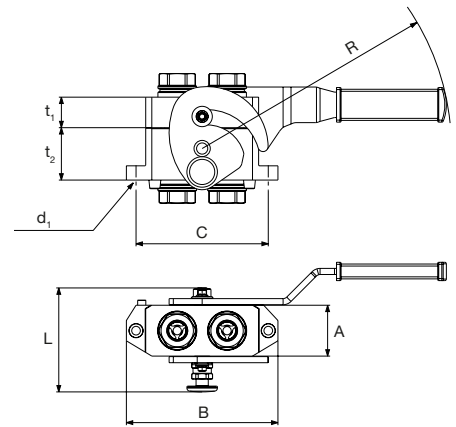


**ARGUS multi-couplings**, which consist of a fixed and a mobile part, are developed following the specific needs of the user.


The multi-connection plates are obtained from an anodized aluminium block as standard, and include the locations for flat-face couplings built of carbon steel with TOP COAT surface protection, but every component can be manufactured in different materials on request. The number of lines and possible electric or pneumatic connections can be defined depending on the application requirements.

Connecting and disconnecting are carried out by means of a cam-leverage group with guiding pins, and a safety device is always present. Hose connections can be executed with threads of every type (e.g. BSP, NPT, SAE, metric) or also with the quick connect system "Plug-In Connector".

A complete range of spare parts and accessories are available. Specific instructions for installation, use and maintenance are separately provided.



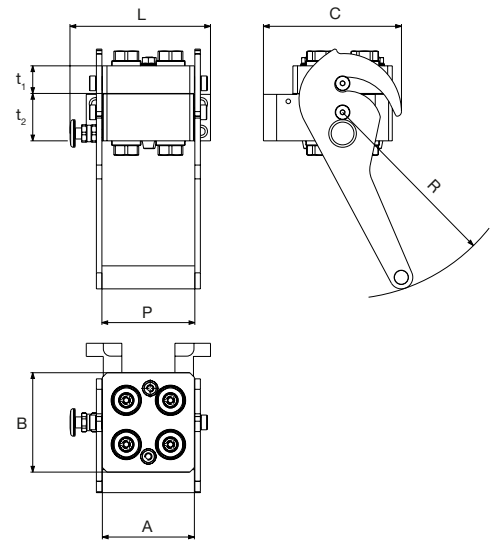
**MULTI-K 2x3/8" and MULTI-K 2x1/2"**  
**Mobile and fixed part - female thread**

Item Code	Part Number				Min BP Conn./disconn. Mpa	Thread	Hydraulic lines	Multi-K	
		DASH	DN	inch				Part	Part
1232490	R1Q-1232490	-6	10	3/8	100	3/8" - BSPP female	2x3/8"	Male/mobile	Female/fixed
1232491	R1Q-1232491							Female/fixed	Male/mobile
1232492	R1Q-1232492	-8	13	1/2	100	1/2" - BSPP female	2x1/2"	Male/mobile	Female/fixed
1232493	R1Q-1232493							Female/fixed	Male/mobile

Item Code	Part Number				t <sub>1</sub>	t <sub>2</sub>	A	B	L	R	C
		DASH	DN	inch	mm	mm	mm	mm	mm	mm	mm
1232490	R1Q-1232490	-6	10	3/8	30	51,5	50	149	102	245	130
1232491	R1Q-1232491				30	51,5	50	149	102	245	130
1232492	R1Q-1232492	-8	13	1/2	30	51,5	50	149	102	245	130
1232493	R1Q-1232493				30	51,5	50	149	102	245	130

Electric connection also available.





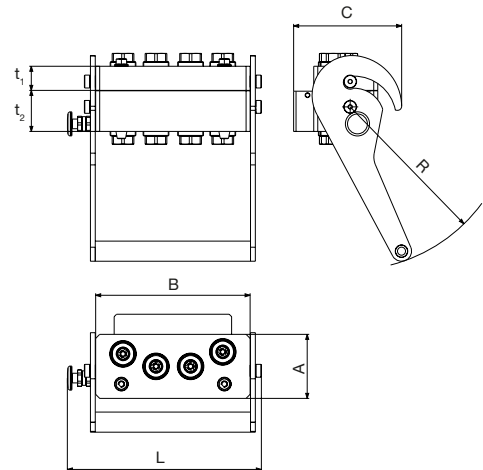
**MULTI-K 4x3/8"Q and MULTI-K 4x1/2"Q**

**Mobile and fixed part - female thread**


Item Code	Part Number				Min BP Conn./disconn. Mpa	Thread	Hydraulic lines	Multi-K Part
		DASH	DN	inch				
1232494	R1Q-1232494	-6	10	3/8	100	3/8" - BSPP female	4x3/8"	Male/mobile
1232495	R1Q-1232495							Female/fixed
1232496	R1Q-1232496	-8	13	1/2	100	1/2" - BSPP female	4x1/2"	Male/mobile
1232497	R1Q-1232497							Female/fixed

Item Code	Part Number				t <sub>1</sub> mm	t <sub>2</sub> mm	A mm	B mm	L mm	R mm	C mm	P mm
		DASH	DN	inch								
1232494	R1Q-1232494	-6	10	3/8	30	51,5	100	108	153	203	150	101
1232495	R1Q-1232495											
1232496	R1Q-1232496	-8	13	1/2	30	51,5	100	108	153	203	150	101
1232497	R1Q-1232497											

Electric connection also available.



**MULTI-K 4x3/8" and MULTI-K 4x1/2"**  
**Mobile and fixed part - female thread**

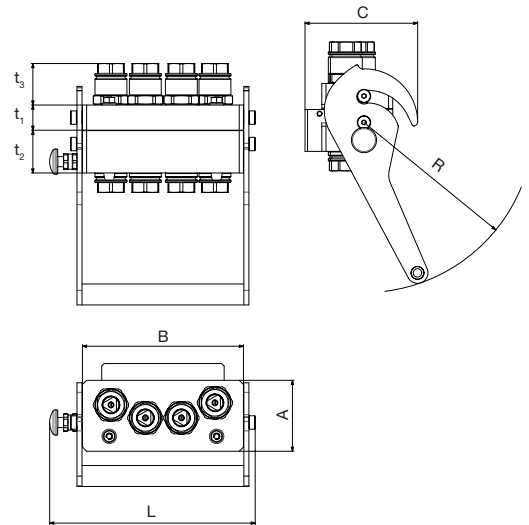
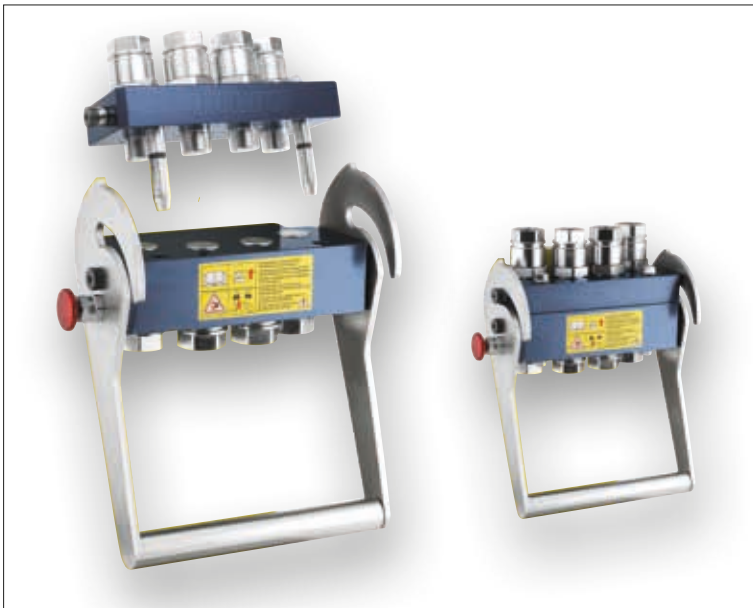
Item Code	Part Number				Min BP Conn./disconn. Mpa	Thread	Hydraulic lines inch	Multi-K Part
		DASH	DN	inch				
1232311	R1Q-1232311	-6	10	3/8	100	3/8" - BSPP female	4x3/8"	Male/mobile
1232190	R1Q-1232190							Female/fixed
1232498	R1Q-1232498	-8	13	1/2	100	1/2" - BSPP female	4x1/2"	Male/mobile
1232499	R1Q-1232499							Female/fixed

Item Code	Part Number				t <sub>1</sub> mm	t <sub>2</sub> mm	A mm	B mm	L mm	R mm	C mm
		DASH	DN	inch							
1232311	R1Q-1232311	-6	10	3/8	30	51	79,6	192	241	203	134
1232190	R1Q-1232190				30	51	79,6	192	241	203	134
1232498	R1Q-1232498	-8	13	1/2	30	51	79,6	192	241	203	134
1232499	R1Q-1232499				30	51	79,6	192	241	203	134

Electric connection also available.

**Compatible with distributors:**

- Walvoil SDM 143/DLM 142
- Nimco CV 452/462
- Nordhydraulic RMF 200



**MULTI-K CPR 4x3/8" and MULTI-K CPR 4x1/2"**

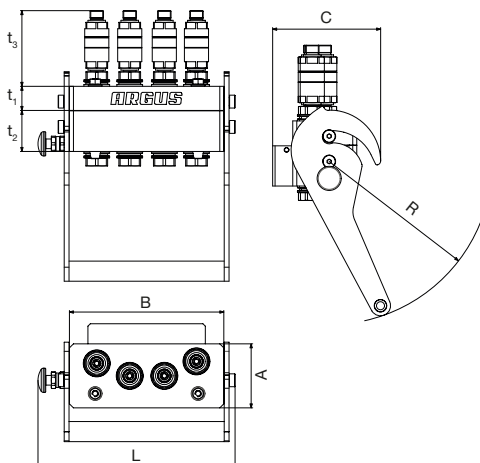
Mobile part connectable under pressure - female thread

Item Code	Part Number	— ⊗ —			Min BP Conn./disconn. Mpa	Thread	Hydraulic lines inch	Multi-K Part
		DASH	DN	inch				
1235030	R1Q-1235030	-6	10	3/8	100	3/8" - BSPP female	4x3/8"	Male/mobile
1235031	R1Q-1235031							Female/fixed
1233703	R1Q-1233703	-8	13	1/2	100	1/2" - BSPP female	4x1/2"	Male/mobile
1233704	R1Q-1233704							Female/fixed

Item Code	Part Number	— ⊗ —			t <sub>1</sub>	t <sub>2</sub>	t <sub>3</sub>	A	B	L	R	C
		DASH	DN	inch	mm	mm	mm	mm	mm	mm	mm	mm
1235030	R1Q-1235030	-6	10	3/8	30	51	38	85	192	241	203	134
1235031	R1Q-1235031				30	51	38	85	192	241	203	134
1233703	R1Q-1233703	-8	13	1/2	30	51	49,5	85	192	241	203	134
1233704	R1Q-1233704				30	51	49,5	85	192	241	203	134

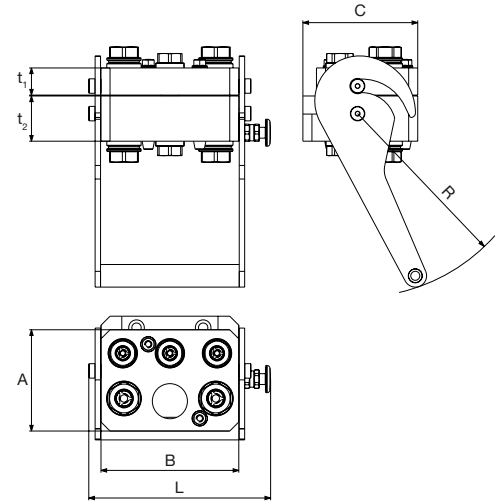
**MULTI-K SWL 4x3/8" and MULTI-K SWL 4x1/2"**

Mobile and fixed part - swivel connection on mobile





Item Code	Part Number	— ⊗ —			Min BP Conn./ disconn. Mpa	Thread	Hydraulic lines	Multi-K Part
		DASH	DN	inch				
1235023	R1Q-1235023	-6	10	3/8	100	3/8" - BSPP female	4x3/8"	Male/mobile
1232190	R1Q-1232190							Female/fixed
1235024	R1Q-1235024	-8	13	1/2	100	1/2" - BSPP female	4x1/2"	Male/mobile
1232499	R1Q-1232499							Female/fixed

Item Code	Part Number	— ⊗ —			t <sub>1</sub>	t <sub>2</sub>	t <sub>3</sub>	A	B	L	R	C
		DASH	DN	inch	mm	mm	mm	mm	mm	mm	mm	mm
1235023	R1Q-1235023	-6	10	3/8	30	51	34	79,6	192	241	203	134
1232190	R1Q-1232190				30	51	-	79,6	192	241	203	134
1235024	R1Q-1235024	-8	13	1/2				79,6	192	241	203	134
1232499	R1Q-1232499				30	51	-	79,6	192	241	203	134

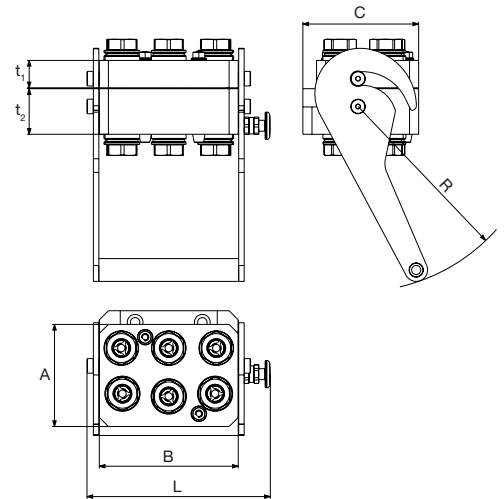


**MULTI-K 3x3/8" and MULTI-K 2x1/2"**  
**Mobile and fixed part - female thread**


Item Code	Part Number				Min BP Conn./disconn. Mpa	Thread	Hydraulic lines	Multi-K	
		DASH	DN	inch				Part	Part
1232500	R1Q-1232500	-6	10	3/8	100	3/8" - 1/2" - BSPP female	3x3/8" 2x1/2"	Male/mobile	
1232501	R1Q-1232501	-8	13	1/2				Female/fixed	


Item Code	Part Number				t <sub>1</sub>	t <sub>2</sub>	A	B	L	R	C
		DASH	DN	inch	mm	mm	mm	mm	mm	mm	mm
1232500	R1Q-1232500	-6	10	3/8	30	50	112	152	201	203	127
1232501	R1Q-1232501	-8	13	1/2	30	50	112	152	201	203	127

Electric connection also available.



**MULTI-K 6x3/8" and MULTI-K 6x1/2"**  
**Mobile and fixed part - female thread**

Item Code	Part Number				Min BP Conn./disconn. Mpa	Thread	Hydraulic lines	Multi-K Part
		DASH	DN	inch				
1232502	R1Q-1232502	-6	10	3/8	100	3/8" - BSPP female	6x3/8"	Male/mobile
1232503	R1Q-1232503							Female/fixed
1232504	R1Q-1232504	-8	13	1/2	100	1/2" - BSPP female	6x1/2"	Male/mobile
1232505	R1Q-1232505							Female/fixed

Item Code	Part Number				t <sub>1</sub> mm	t <sub>2</sub> mm	A mm	B mm	L mm	R mm	C mm
		DASH	DN	inch							
1232502	R1Q-1232502	-6	10	3/8	30	50	112	152	201	203	127
1232503	R1Q-1232503				30	50	112	152	201	203	127
1232504	R1Q-1232504	-8	13	1/2	30	50	112	152	201	203	127
1232505	R1Q-1232505				30	50	112	152	201	203	127

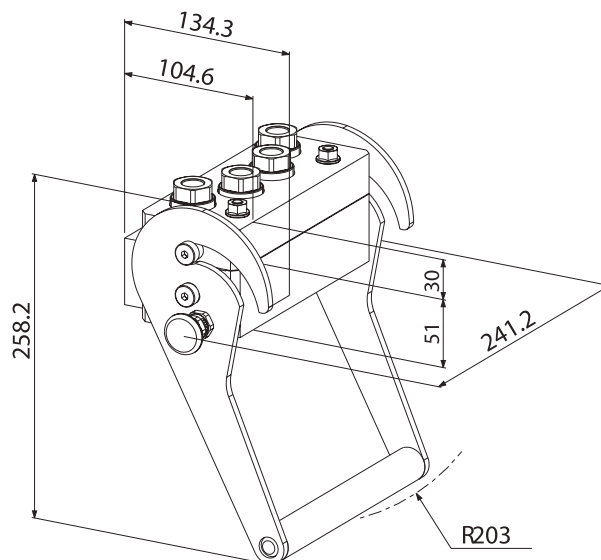
Electric connection also available.

**COMPONENT**

- Mobile and fixed plate
- Quick release coupling
- Seal and back-up ring
- Springs
- Lock lever
- Safety block

**MATERIAL**

- Anodized aluminium 6082
- Steel with galvanic protection
- NBR and PTFE
- According to EN 102070-1
- Steel with galvanic protection
- Steel and aluminium



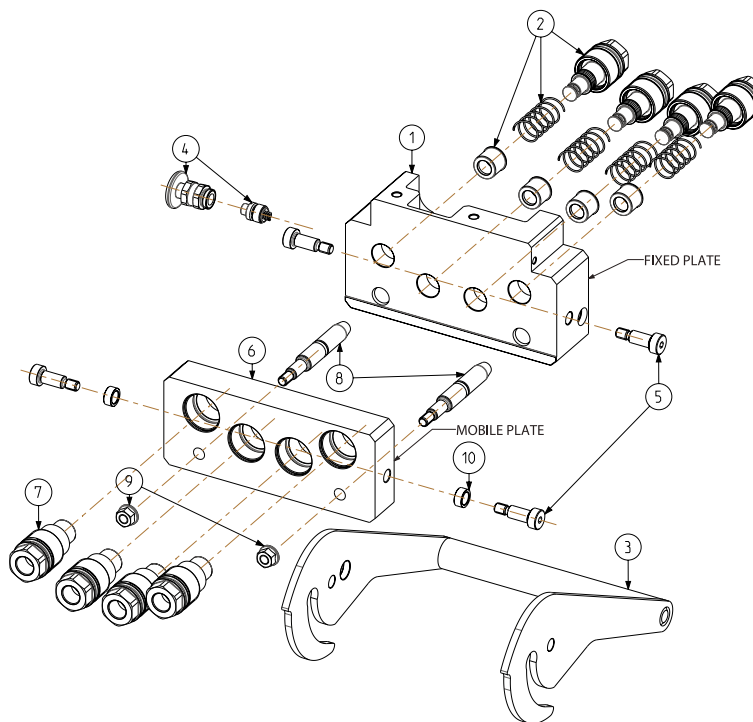
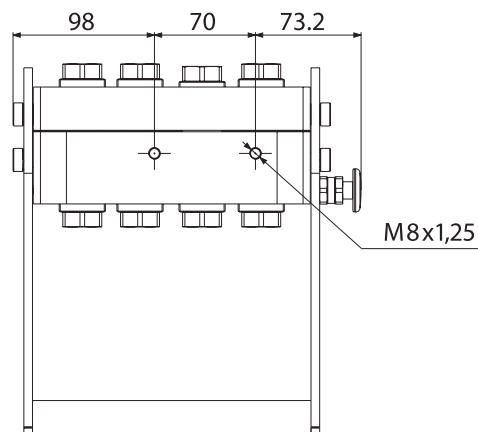
**MULTI-K**

**Mobile and fixed part - female thread**

Item Code	Part Number				WP Conn./disconn. Mpa	Min BP Conn./disconn. Mpa	Thread	Hydraulic lines	Multi-K	
		DASH	DN	inch					Part	Part
1232311	R1Q-1232311	-6	10	3/8	25	100	3/8" - BSPP female	4x3/8"	Male/mobile	Female/fixed
1232190	R1Q-1232190									

**SPARE PARTS**

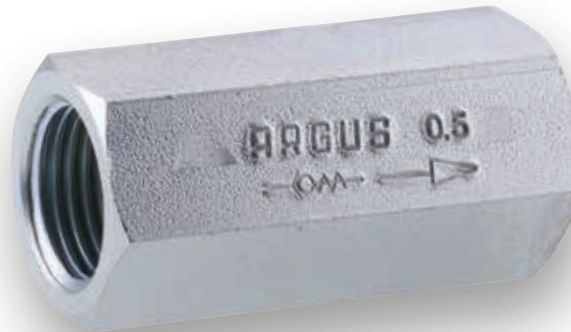
Pos.	Description	Part Number	Quantity
1	Fixed plate (female)	1232274	1
2	Female coupling	1232275	4
3	Lever	1232279	1
4	Safety lock	1232280	1
5	Screws	1232282	4
6	Mobile plate (male)	1232277	1
7	Male coupling	1232278	4
8	Reference pins	1232281	2
9	Nut	1232225	2
10	Spacer	1232214	2



DN 6 to 25  
to max. WP 400 bar

- One-piece housing
- Low pressure drop

**TOP COAT**



Non return valves enable a flow in one direction and block it in the opposite direction. They therefore belong to the group of check valves (DIN 24300).

**ARGUS non return valves** guarantee an extremely low-resistant flow through their streamlined internal parts.

The valves are sealed by spring-hydraulic poppets and washer. Stroke limitation ensures free outlet opening. Depending on opening pressure, they can also be used as a suction and safety valve.

**Materials**

Galvanized steel housing and poppet valve – Brass housing also available – Brass valve stem guide – TPE seals (PTFE optional). TOP COAT Cr-III zinc plating with additional trivalent passivation for outstanding surface protection.

**Suitable** for liquid lines with mineral oil-based hydraulic fluids to DIN 51524 and DIN 51525. Also available for flame-resistant hydraulic fluids to VDMA 24317, for pneumatics and water hydraulics in appropriate materials on request.

**Temperature range:** from -30 °C to +100 °C.

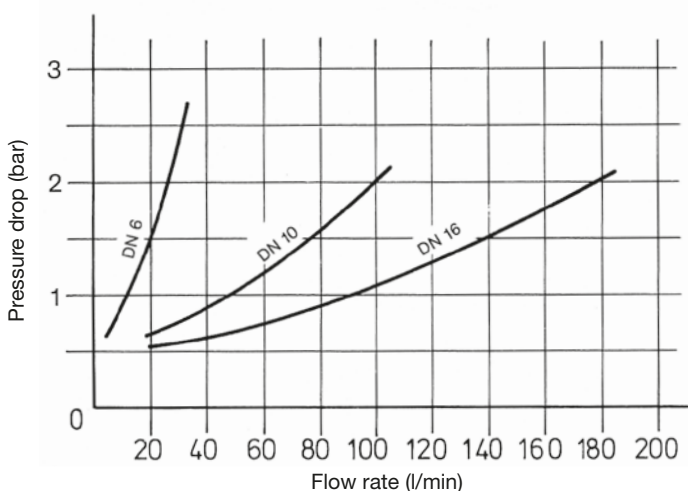
**Opening pressure:** 0.5, 2 or 4 bar; other opening pressures available on request.

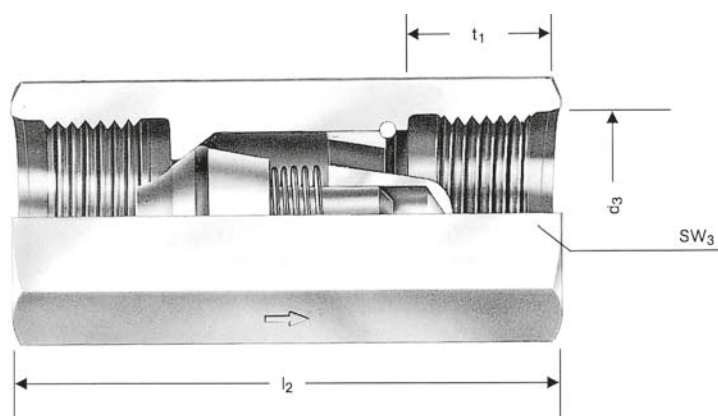
**Viscosity range:** to 400 cSt (53 °E).


Specific instructions for installation, use and maintenance are separately provided.

Symbol:

**Flow resistance with 35 cm<sup>2</sup>/s hydraulic oil**




**NON RETURN VALVE – RV**
**Female thread**

Item Code	Part Number				Opening pressure bar	WP bar	Thread	d <sub>3</sub> inch / mm	l <sub>2</sub> mm	t <sub>1</sub> mm	SW <sub>3</sub> mm
		DASH	DN	inch							
1232166	R1V-399838	-4	6	1/4	0,5	400	BSPP	1/4	50	14	19
1232156	R1V-399824	-4	6	1/4	2	400	BSPP	1/4	50	14	19
1232157	R1V-399851	-4	6	1/4	4	400	BSPP	1/4	50	14	19
1228914	R1Q-399806	-6	10	3/8	0,5	400	MET	M16x1,5	50	14	22
1219731	R1Q-399807	-6	10	3/8	0,5	400	BSPP	3/8	50	14	22
1232158	R1V-399834	-6	10	3/8	2	400	BSPP	3/8	50	14	22
1232159	R1V-399835	-6	10	3/8	4	400	BSPP	3/8	50	14	22
1228915	R1Q-399810	-8	13	1/2	0,5	315	MET	M22x1,5	57	16	27
1219730	R1Q-399811	-8	13	1/2	0,5	315	BSPP	1/2	57	16	27
1232160	R1Q-399846	-8	13	1/2	2	315	BSPP	1/2	57	16	27
1232161	R1Q-399815	-8	13	1/2	4	315	BSPP	1/2	57	16	27
1232167	R1V-399839	-12	19	3/4	0,5	250	BSPP	3/4	65	16	36
1232162	R1V-399836	-12	19	3/4	2	250	BSPP	3/4	65	16	36
1232163	R1V-399862	-12	19	3/4	4	250	BSPP	3/4	65	16	36
1228918	R1Q-399816	-16	25	1	0,5	250	MET	M30x1,5	73	18	36
1228917	R1Q-399817	-16	25	1	0,5	250	BSPP	1	73	18	41
1232164	R1Q-399894	-16	25	1	2	250	BSPP	1	73	18	41
1232165	R1V-399865	-16	25	1	4	250	BSPP	1	73	18	41

BSPP connection according to DIN 3852-2-X, metric connection according to DIN 3852.



DN 6 to 25  
to max. WP 400 bar

- One-piece housing
- Low pressure drop



**ARGUS PRV cartridge non return valves**

are designed for direct installation into device or machine housings. They enable a flow in one direction and block it in the opposite direction. They therefore belong to the group of check valves (DIN 24300).

ARGUS PRV cartridge non return valves ensure particularly low-resistance flow through their streamlined internal parts.

The valves are sealed by spring-loaded poppets and washer. Stroke limitation ensures free outlet opening.

Depending on opening pressure, they can also be used as suction and safety valves.

**Materials**

Gunmetal housing, galvanized steel valve – Brass valve stem guide – Steel spring compression spring – TPE seals (PTFE optional). Cr-III zinc plating through additional passivation for improved surface protection.

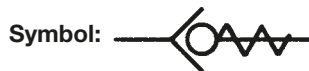
**Suitable** for liquid lines with mineral oil-based hydraulic fluids to DIN 51524 and DIN 51525. Also available for flame-resistant hydraulic fluids to VDMA 24317, for pneumatics and water hydraulics in appropriate materials on request.

**Temperature range:** from -30 °C to +100 °C.

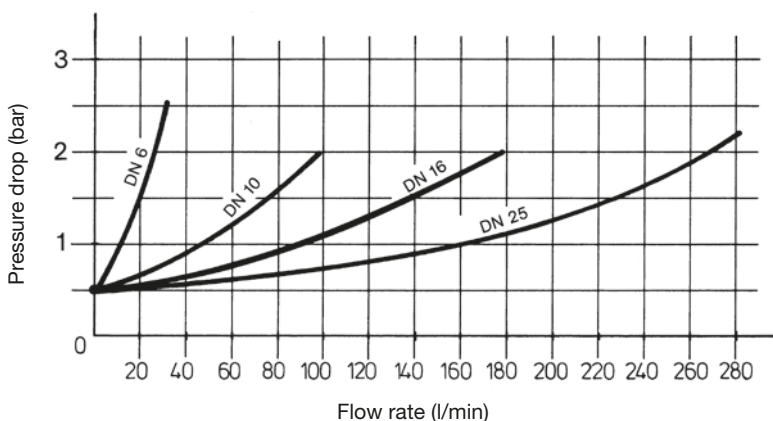
**Opening pressure:** 0.5 bar; other opening pressures available on request.

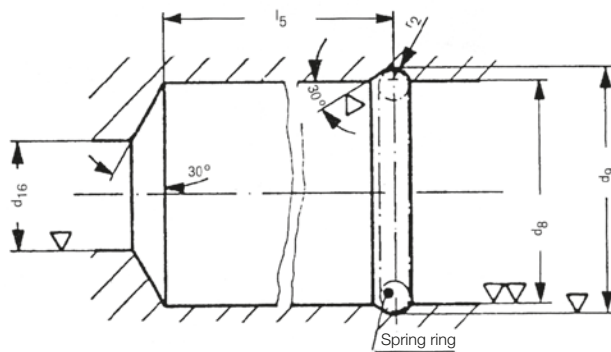
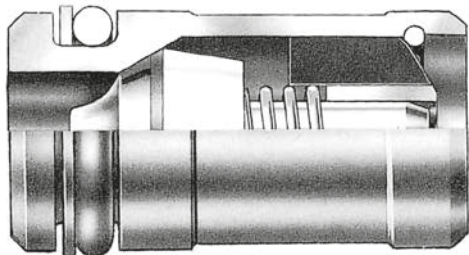
**Viscosity range:** to 400 cSt (53 °E).

Specific instructions for installation, use and maintenance are separately provided.




**Flow resistance with 35 cm<sup>2</sup>/s hydraulic oil**





**NON RETURN VALVE – PRV**

**Cartridge**

Item Code	Part Number				Opening pressure bar	WP bar	d <sub>8</sub> / H <sub>9</sub> mm	d <sub>9</sub> +0,1 mm	d <sub>16</sub> mm	l <sub>5</sub> +0,5 mm	r <sub>2</sub> mm
		DASH	DN	inch							
1228905	R1Q-399700	-4	6	1/4	0,5	400	16	17,6	10	30,2	0,9
1219732	R1Q-399710	-6	10	3/8	0,5	315	22	24,0	16	36,5	1,1
1228906	R1Q-399720	-5	16	5/8	0,5	315	32	34,5	25	50,7	1,4
1228907	R1Q-399730	-16	25	1	0,5	315	50	52,5	32	72,0	1,4

**SPECIAL ITEMS**

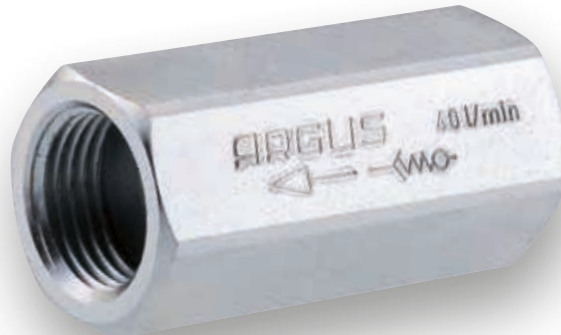
Customised versions of cartridge non return valves. ARGUS can develop check valves according to customer's needs or specifications.

**MIL Standard**



DN 6 to 16  
to max. WP 400 bar

- One-piece housing
- Low pressure drop

**TOP COAT**

**ARGUS LBS excess flow check valves** are installed in systems to prevent the medium escaping through line breaks.

Under normal operation, they are open and installed near to a tank or cylinder to be protected. They close if excess flow speeds occur.

Each excess flow check valve is rated for maximum flow speed.

The excess flow check valve is held in the OPEN position by a compression spring.

If the spring pre-tension is exceeded, the poppet valve moves in the valve seat and closes the line. Outside influences, e.g. sudden movements, impact on moving devices, installed position, can create axial forces and thereby changes in the closing volume.

If the user is unable to prevent from such influences, system tests must be run.

The excess flow check valve has to be installed as close as possible to the component to be protected (tank or cylinder), whereby high flow resistances between the element to be protected and the excess flow check valve are to be prevented.

#### Material

Galvanized steel housing and poppet valve – Brass valve stem guide – Steel spring compression spring. TOP COAT Cr-III zinc plating with additional trivalent passivation for outstanding surface protection.

**Suitable** for liquid lines with mineral oil-based hydraulic fluids to DIN 51524 and DIN 51525. Also available for flame-resistant hydraulic fluids to VDMA 24317, for pneumatics and water hydraulics in appropriate materials on request.

#### Temperature range:

from -30 °C to +100 °C

#### Closing volume l/min:

at 35 cSt (4.7°E) max.  $a \leq 1 \text{ m/s}^2$  (ref. table)

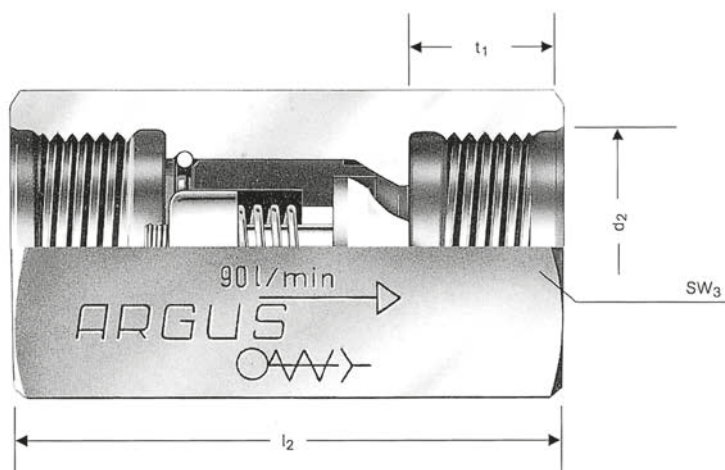
#### Viscosity range:

to 400 cSt (53 °E)

Other closing volumes and connection types on request.

Specific instructions for installation, use and maintenance are separately provided.

Symbol:


**EXCESS FLOW CHECK VALVE - LBS**
**Female thread**

Item Code	Part Number				Closing volume l/min	WP bar	Thread	d <sub>2</sub> inch / mm	l <sub>2</sub> mm	t <sub>1</sub> mm	SW <sub>3</sub> mm
		DASH	DN	inch							
1228909	R1Q-399661	-4	6	1/4	40	400	MET	M16x1,5	50	14	22
1228908	R1Q-399660	-4	6	1/4	40	400	BSPP	3/8	50	14	22
1228911	R1Q-399663	-6	10	3/8	90	315	MET	M22x1,5	57	16	27
1228910	R1Q-399662	-6	10	3/8	90	315	BSPP	1/2	57	16	27
1228912	R1Q-399665	-8	13	1/2	200	250	MET	M30x1,5	73	18	36
1219717	R1Q-399664	-8	13	1/2	200	250	BSPP	1	73	18	41

DN 10 to 51  
to max. WP 410 bar

- Extremely low torque for rotation under pressure
- Robust, compact and lightweight
- Outstanding wear resistance
- Long-lasting service life

**Patent Pending****TOP COAT**

**ALFAGOMMA** state-of-the-art **Swivel Connector** range is specifically designed to withstand the most severe working conditions and to ensure the best performances in the harshest environments up to 410 bar operating pressure. Its innovative ball bearing-less swivel system guarantees long lasting reliability to the hydraulic system, increasing productivity without fluid leakages.

The ball bearing-less inner mechanism ensures a consistent rotary movement within the system and prevents damaging torsions to the hose. The result is an increase in components service life and lower operating costs due to easier & inexpensive maintenance.

Alfagomma Swivel Connectors have a compact design, which makes them suitable for use in the smallest of spaces. Thanks to our exclusive TOP COAT – Galvanic Coating – proprietary technology, the complete range of Alfagomma swivel connectors can boast an outstanding wear and corrosion resistance, so as to guarantee a longer lifespan to your hydraulic system.

**Materials**

High strength carbon steel with TOP COAT surface protection. HNBR and PTFE seals and bushings.

**Working Pressure**

410 bar up to 1 1/4" (6.000 psi up to 1 1/4")

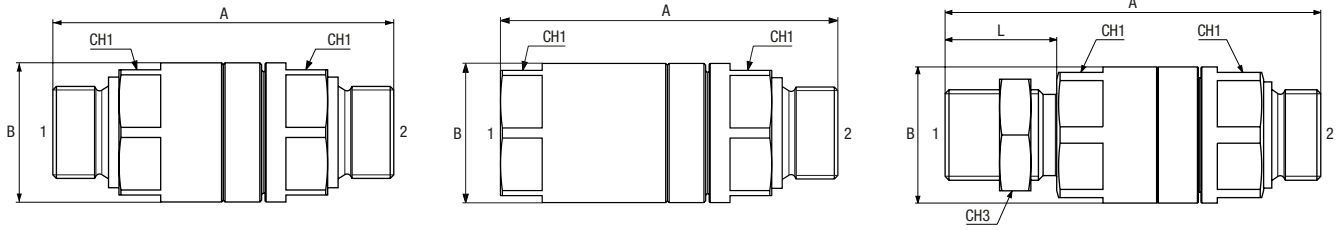
310 bar 1 1/2" (4.500 psi 1 1/2")

210 bar 2" (3.000 psi 2")

Safety factor 4:1


**Temperature range:**

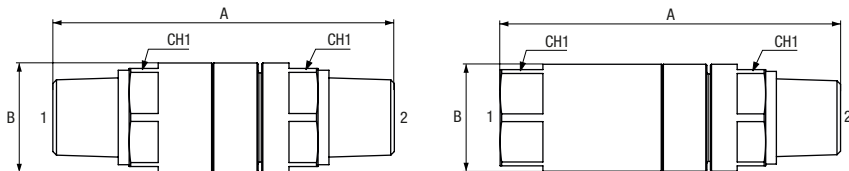
from -35 °C to +120 °C (-31 °F +248 °F)



**SWIVEL CONNECTOR**


**BSPP**

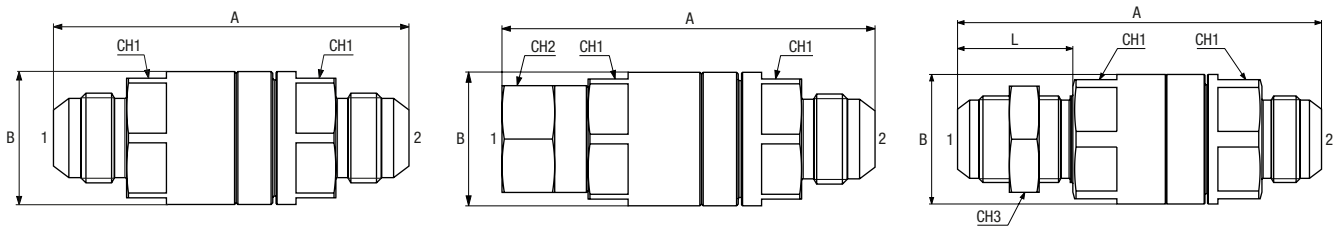
Item Code				ID mm	Port 1	Port 2	Thread inch	A mm	B mm	CH1 mm	CH3 mm	L mm
	DASH	DN	inch									
1233377	-06	10	3/8	10	M BSPP 60° 06	M BSPP 60° 06	3/8 -19	86	30	27	-	-
1233378	-08	13	1/2	10	M BSPP 60° 08	M BSPP 60° 08	1/2 -14	86	30	27	-	-
1233379	-12	19	3/4	16	M BSPP 60° 12	M BSPP 60° 12	3/4 -14	104	46	41	-	-
1233380	-16	25	1	22	M BSPP 60° 16	M BSPP 60° 16	1 -11	119	56	50	-	-
1234983	-20	32	1 1/4	22	M BSPP 60° 20	M BSPP 60° 20	1 1/4 -11	119	56	50	-	-
1233381	-24	38	1 1/2	32	M BSPP 60° 24	M BSPP 60° 24	1 1/2 -11	157	75	70	-	-
1233382	-32	51	2	45	M BSPP 60° 32	M BSPP 60° 32	2 -11	176	95	85	-	-
1233383	-08	13	1/2	10	F BSPP 08	M BSPP 60° 08	1/2 -14	90	30	27	-	-
1233384	-12	19	3/4	16	F BSPP 12	M BSPP 60° 12	3/4 -14	103	46	41	-	-
1233385	-16	25	1	22	F BSPP 16	M BSPP 60° 16	1 -11	119	56	50	-	-
1234984	-20	32	1 1/4	22	F BSPP 20	M BSPP 60° 20	1 1/4 -11	119	56	50	-	-
1233386	-06	10	3/8	10	M BH BSPP 60° 06	M BSPP 60° 06	3/8 -19	105,5	30	27	22	31
1233387	-08	13	1/2	10	M BH BSPP 60° 08	M BSPP 60° 08	1/2 -14	108,5	30	27	27	34
1233388	-12	19	3/4	16	M BH BSPP 60° 12	M BSPP 60° 12	3/4 -14	129	46	41	36	37
1233389	-16	25	1	22	M BH BSPP 60° 16	M BSPP 60° 16	1 -11	143	56	50	41	41
1233390	-24	38	1 1/2	32	M BH BSPP 60° 24	M BSPP 60° 24	1 1/2 -11	188	75	70	55	49



**SWIVEL CONNECTOR**

**NPTF**

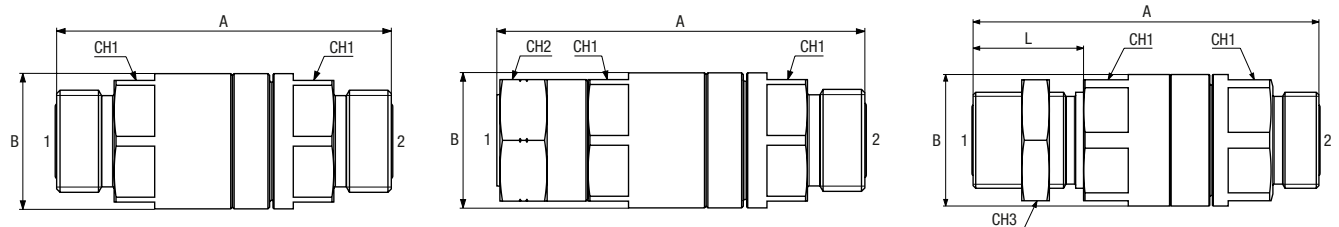
Item Code				ID mm	Port 1	Port 2	Thread inch	A mm	B mm	CH1 mm
	DASH	DN	inch							
1233816	-08	13	1/2	10	M NPTF 08	M NPTF 08	1/2 -14	94	30	27
1233817	-08	13	1/2	10	F NPTF 08	M NPTF 08	1/2 -14	95,5	30	27



**SWIVEL CONNECTOR**

**JIC**

Item Code	↔		ID	Port 1	Port 2	Thread	A	B	CH1	CH2	CH3	L	
	DASH	DN											inch
1233391	-08	13	1/2	10	M JIC 08	M JIC 08	3/4 -16 UNF	93,5	30	27	-	-	-
1233392	-10	16	5/8	16	M JIC 10	M JIC 10	7/8 -14 UNF	113	46	41	-	-	-
1233393	-12	19	3/4	16	M JIC 12	M JIC 12	1 1/16 -12 UN	118	46	41	-	-	-
1233394	-16	25	1	22	M JIC 16	M JIC 16	1 5/16 -12 UN	127,5	56	50	-	-	-
1233395	-08	13	1/2	10	F JIC 08	M JIC 08	3/4 -16 UNF	100	30	27	25	-	-
1233396	-10	16	5/8	16	F JIC 10	M JIC 10	7/8 -14 UNF	121,2	46	41	27	-	-
1233397	-12	19	3/4	16	F JIC 12	M JIC 12	1 1/16 -12 UN	122,8	46	41	32	-	-
1233398	-16	25	1	22	F JIC 16	M JIC 16	1 5/16 -12 UN	137,1	56	50	38	-	-
1233399	-08	13	1/2	10	M BH JIC 08	M JIC 08	3/4 -16 UNF	114	30	27	-	24	36,5
1233400	-10	16	5/8	16	M BH JIC 10	M JIC 10	7/8 -14 UNF	134	46	41	-	30	40
1233401	-12	19	3/4	16	M BH JIC 12	M JIC 12	1 1/16 -12 UN	141	46	41	-	36	44,5
1233402	-16	25	1	22	M BH JIC 16	M JIC 16	1 5/16 -12 UN	148,9	56	50	-	41	44,5



**SWIVEL CONNECTOR**

**ORFS**

Item Code	↔		ID	Port 1	Port 2	Thread	A	B	CH1	CH2	CH3	L	
	DASH	DN											inch
1233403	-08	13	1/2	10	M ORFS 08	M ORFS 08	13/16 -16 UN	84,5	30	27	-	-	-
1233404	-10	16	5/8	16	M ORFS 10	M ORFS 10	1 -14 UNS	104	46	41	-	-	-
1233405	-12	19	3/4	16	M ORFS 12	M ORFS 12	1 3/16 -12 UN	107	46	41	-	-	-
1233406	-16	25	1	22	M ORFS 16	M ORFS 16	1 7/16 -12 UN	118,5	56	50	-	-	-
1233407	-08	13	1/2	10	F ORFS 08	M ORFS 08	13/16 -16 UN	95	30	27	27	-	-
1233408	-10	16	5/8	16	F ORFS 10	M ORFS 10	1 -14 UNS	116,1	46	41	30	-	-
1233409	-12	19	3/4	16	F ORFS 12	M ORFS 12	1 3/16 -12 UN	120	46	41	36	-	-
1233410	-16	25	1	22	F ORFS 16	M ORFS 16	1 7/16 -12 UN	130	56	50	41	-	-
1233411	-08	13	1/2	10	M BH ORFS 08	M ORFS 08	13/16 -16 UN	108,5	30	27	-	30	36,5
1233412	-10	16	5/8	16	M BH ORFS 10	M ORFS 10	1 -14 UNS	126,5	46	41	-	36	40,5
1233413	-12	19	3/4	16	M BH ORFS 12	M ORFS 12	1 3/16 -12 UN	129	46	41	-	41	41,5
1233414	-16	25	1	22	M BH ORFS 16	M ORFS 16	1 7/16 -12 UN	142	56	50	-	46	42









